

2018



UNIQUE

– WOOD PRODUCTS –

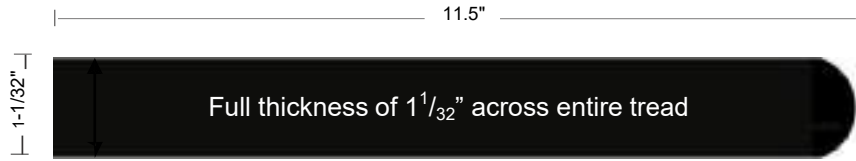
Product catalogue

# STAIR PRODUCTS



Hardwood stair treads are made from solid laminated wood, NOT veneered partial board from imports, or wrapped with nice veneer.

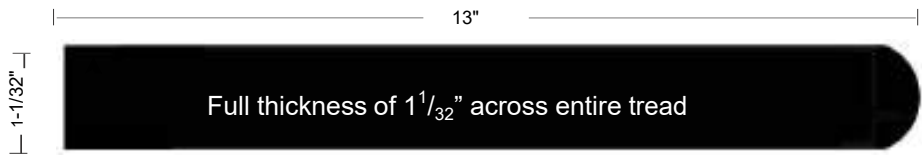
**8070**  
Plain Tread  
1-1/32" x 11-1/2"  
42" | 48" | 54" | 60" | 72"



red oak                      white oak                      hickory                      maple

1-1/32" x 11-1/2" x 36"	8070RO36	8070WO36	8070HK36	8070MP36
1-1/32" x 11-1/2" x 42"	8070RO42	8070WO42	8070HK42	8070MP42
1-1/32" x 11-1/2" x 48"	8070RO48	8070WO48	8070HK48	8070MP48
1-1/32" x 11-1/2" x 54"	x	x	x	x
1-1/32" x 11-1/2" x 60"	8070RO60	8070WO60	8070HK60	8070MP60
1-1/32" x 11-1/2" x 72"	8070RO72	8070WO72	8070HK72	8070MP72

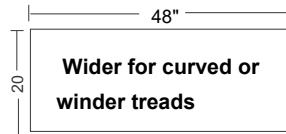
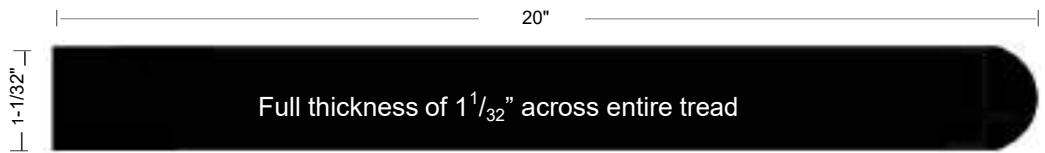
**807013**  
Plain Tread  
1-1/32" x 13"  
42" | 48" | 54" | 60"



red oak                      white oak                      hickory                      maple

1-1/32" x 13" x 42"	807013RO42	807013WO42	807013HK42	807013MP42
1-1/32" x 13" x 48"	807013RO48	807013WO48	807013HK48	807013MP48
1-1/32" x 13" x 54"	x	x	x	x
1-1/32" x 13" x 60"	807013RO60	807013WO60	807013HK60	807013MP60

**807020**  
Plain Tread  
1-1/32" x 20" x 48"

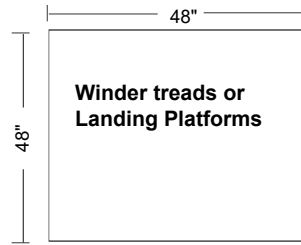


red oak                      white oak                      hickory                      maple

1-1/32" x 20" x 48"	807020RO48	807020WO48	807020HK48	807020MP48
---------------------	------------	------------	------------	------------

Tread thickness is 1-32" with a tolerance + or - 1/32". Treads can be returned by UWP shop at any length, right, left or both ends. Please contact us for quote on many different wood species available.

**807048**  
Platform Tread  
1-1/32" x 48" x 48"



Hickory Species



red oak

white oak

hickory

maple

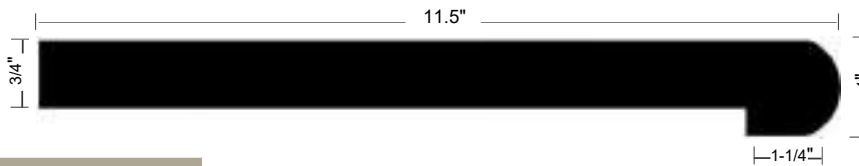
1-1/32" x 48" x 48"

807048RO48

W807048WO48

807048HK48

807048MP48



**8071**  
Plain Tread  
3/4" x 11-1/2"

red oak

white oak

hickory

maple

3/4" x 11-1/2" x 42"

8071RO42

8071WO42

8071HK42

8071MP42

3/4" x 11-1/2" x 48"

8071RO48

8071WO48

8071HK48

8071MP48

3/4" x 11-1/2" x 54"

x

x

x

x

3/4" x 11-1/2" x 60"

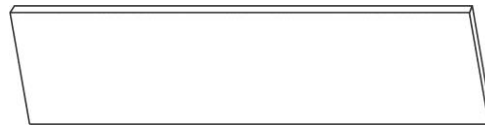
8071RO60

8071WO60

8071HK60

8071MP60

**8075 Riser**  
1/2" x 7-1/2"  
3/4" x 7-1/2"  
96" | 192"



Primed Finger-Joint

Red Oak Ply

White Oak Ply

Birch Ply

Solid Red Oak

Popular Solid

Finger Joint Pine

3/4" x 7-1/4" x 96"

8075PFJ8

8075RO34PLY

8075WO34PLY

8075BH34PLY

519448

B5204488

x

1/2" x 7-1/4" x 96"

x

8075RO12PLY

x

x

x

x

3/4" x 7-1/4" x 192"

51821816

x

x

x

x

x

51721816

*Our stair and hardwood products are made from real solid wood. Just like the trees they are made from, no two steps are exactly alike - that is what creates the natural beauty that cannot be duplicated by less-realistic MDF or laminated products or inferior product. At UWP, we opt to use FAS grade or better lumber unlike our competitors who chooses No. 1 and No. 2 Common for our solid stair products. Ask for the best in the business, ask for Unique Wood Products!*



we support...



## 8070LMR Left Hand Return



**8070LMR**  
Left Hand Return  
1-1/16" x 11-1/2"  
42" | 48" | 54" | 60" | 72"

**Tread with Left Hand Mitered Return**

	red oak	white oak	hickory	maple
1-1/16" x 11-1/2" x 42"	8070LHRO42	8070LHWO42	8070LHHK42	8070LHMP42
1-1/16" x 11-1/2" x 48"	8070LHRO48	8070LHWO48	8070LHHK48	8070LHMP48
1-1/16" x 11-1/2" x 54"	x	x	x	x
1-1/16" x 11-1/2" x 60"	8070LHRO60	8070LHWO60	8070LHHK60	8070LHMP60
1-1/16" x 11-1/2" x 72"	8070LHRO72	8070LHWO72	8070LHHK72	8070LHMP72

**8070RMR**  
Right Hand Return  
1-1/16" x 11-1/2"  
42" | 48" | 54" | 60" | 72"



**Tread with Right Hand Mitered Return**

	red oak	white oak	hickory	maple
1-1/16" x 11-1/2" x 42"	8070RHRO42	8070RHWO42	8070RHHK42	8070RHMP42
1-1/16" x 11-1/2" x 48"	8070RHRO48	8070RHWO48	8070RHHK48	8070RHMP48
1-1/16" x 11-1/2" x 54"	x	x	x	x
1-1/16" x 11-1/2" x 60"	8070RHRO60	8070RHWO60	8070RHHK60	8070RHMP60
1-1/16" x 11-1/2" x 72"	8070RHRO72	8070RHWO72	8070RHHK72	8070RHMP72

**8070DMR**  
Double Miter Return  
1-1/16" x 11-1/2"  
42" | 48" | 54" | 60" | 72"



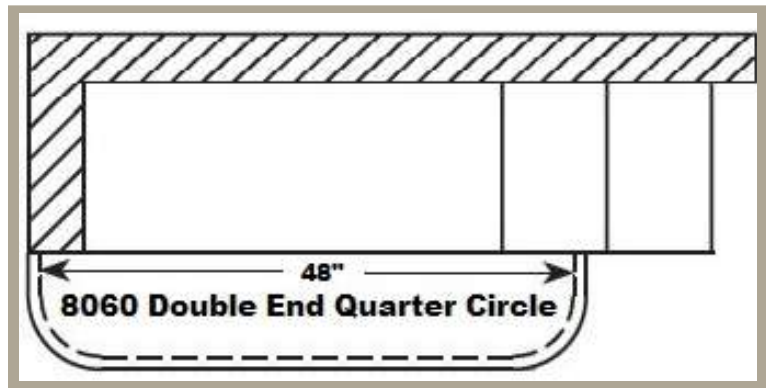
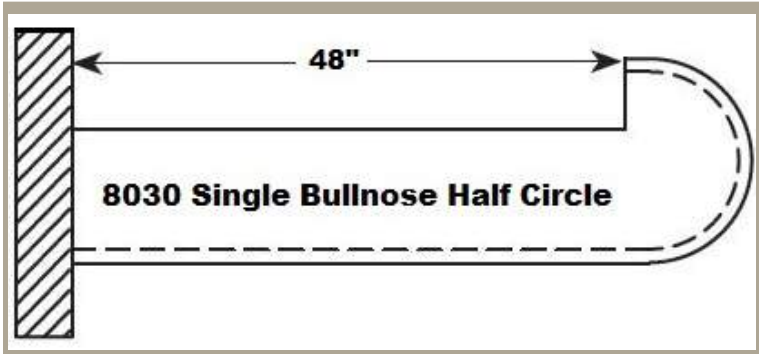
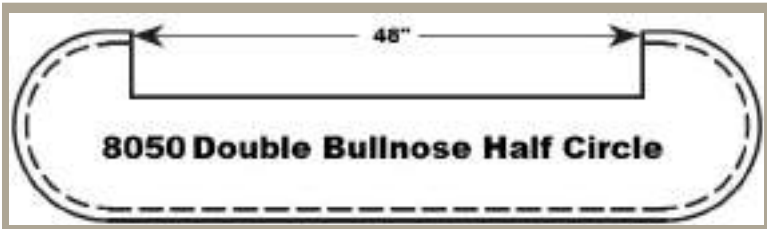
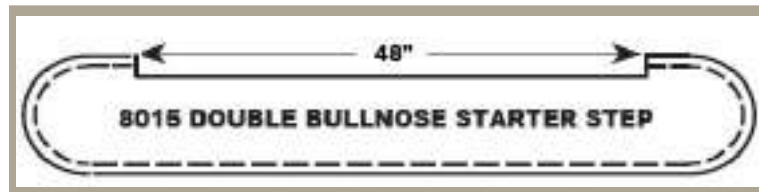
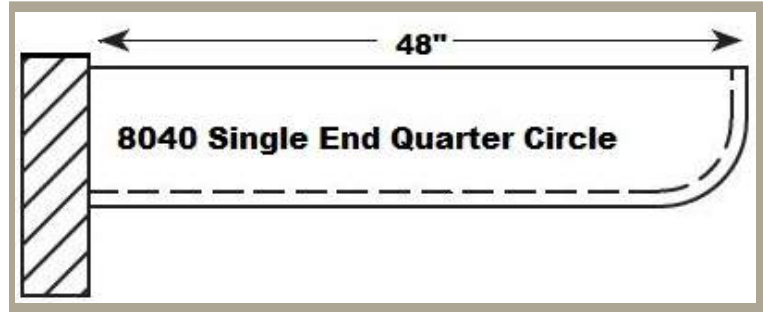
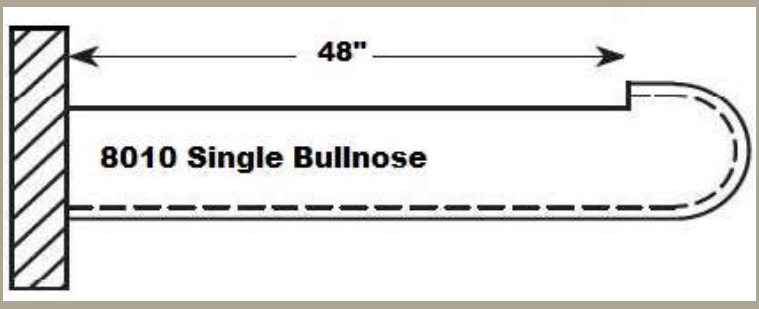
**Tread with Double Mitered Return**

	red oak	white oak	hickory	maple
1-1/16" x 11-1/2" x 42"	8070DMRRO42	x	x	x
1-1/16" x 11-1/2" x 48"	x	x	x	x
1-1/16" x 11-1/2" x 54"	x	x	x	x
1-1/16" x 11-1/2" x 60"	x	x	x	x
1-1/16" x 11-1/2" x 72"	x	x	x	x

Tread thickness is 1-32" with a tolerance plus / minus 1/32". Treads can be returned by UWP shop at any length, right, left or both ends. X - non stocking time, please allow additional time for special request.

## 8010-8060 Starting Steps

We can fabricate treads for stairs of any shapes and sizes based on a paper template that you can provide. You can easily send patterns through the mail with all the dimensions but please give as much detail as possible, please contact us for more info. If you are in the Houston area, we can arrange a time to template your stair treads for a nominal fee, please have your contractor / builder contact us for further instructions. Please allow additional time for custom templates or most starter steps as they are "made to order".



### 8010-8060 Starter Steps

	8010	8015	8030	8040	8050	8060
Red Oak	461801048	461801548	461803048	461804048	461805048	461806048



Tigerwood Treads - out for delivery



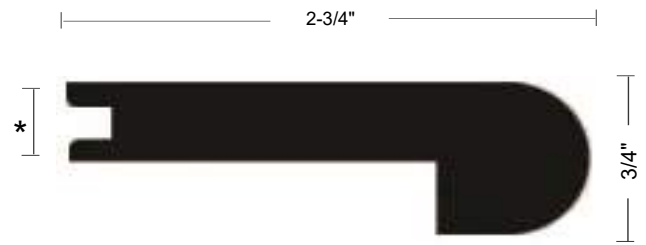
Solid Red Oak 3-3/4" Stair Treads



# STAIRS, ETC

† Hardwood products comes in random lengths, priced per linear foot

## 8090 Landing tread aka Stair Nosing



red oak      white oak      hickory      maple

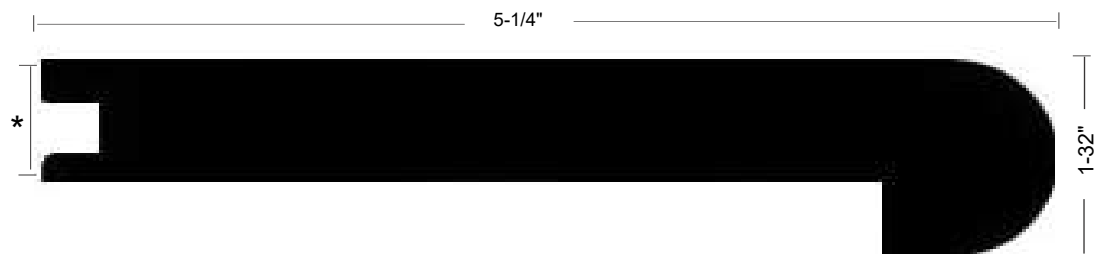
2-3/4" x 3/4" with 5/8" thickness*	8090RO58	8090WO58	8090HK58	8090MP58
2-3/4" x 3/4" with 9/16" thickness*	8090RO916	8090WO916	8090HK916	8090MP916
2-3/4" x 3/4" with 1/2" thickness *	8090RO12	8090WO12	8090HK12	8090MP12
2-3/4" x 3/4" with 3/8" thickness*	8090RO38	8090WO38	8090HK38	8090MP38
2-3/4" x 3/4" with 5/16" thickness*	8090RO516	8090WO516	8090HK516	8090MP516

## 8092 Landing tread aka Stair Nosing



2-3/4" x 1-1/32" with 3/4" thickness*	8092RO34	8092WO34	8092HK34	8092MP34
2-3/4" x 1-1/32" with 5/8" thickness*	x	x	x	x
2-3/4" x 1-1/32" with 9/16" thickness*	x	x	x	x
2-3/4" x 1-1/32" with 1/2" thickness*	8092RO12	8092WO12	8092HK12	8092MP12
2-3/4" x 1-1/32" with 3/8" thickness*	8092RO38	8092WO38	8092HK38	8092MP38
2-3/4" x 1-1/32" with 5/16" thickness*	x	x	x	x

## 8091 Landing tread aka Stair Nosing

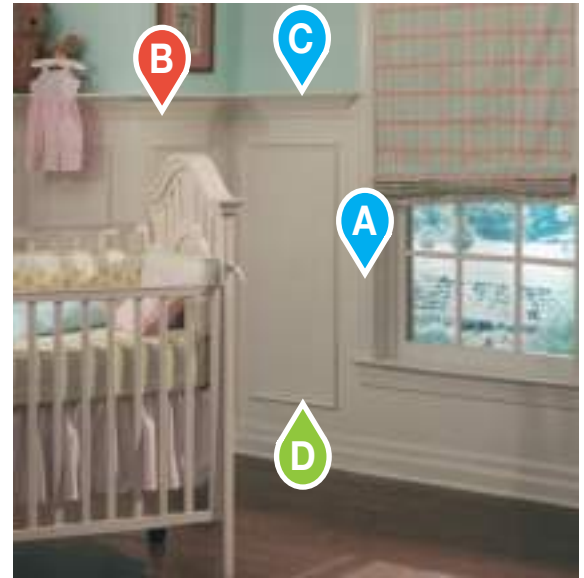


red oak      white oak      hickory      maple

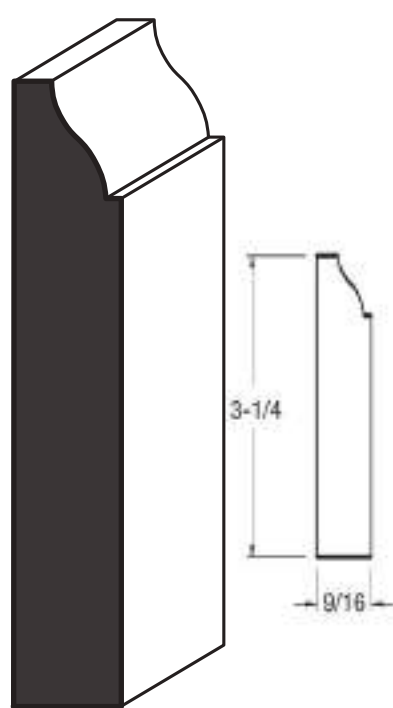
5-1/4" x 1-1/32" with 3/4" thickness*	8091RO34	8091WO34	8090HK34	8091MP34
5-1/4" x 1-1/32" with 5/8" thickness*	x	x	x	x
5-1/4" x 1-1/32" with 9/16" thickness*	x	x	x	x
5-1/4" x 1-1/32" with 1/2" thickness*	x	x	x	x
5-1/4" x 1-1/32" with 3/8" thickness*	x	x	x	x
5-1/4" x 1-1/32" with 5/16" thickness	x	x	x	x

x- non stocking item, please allow additional time as these are "made to order"

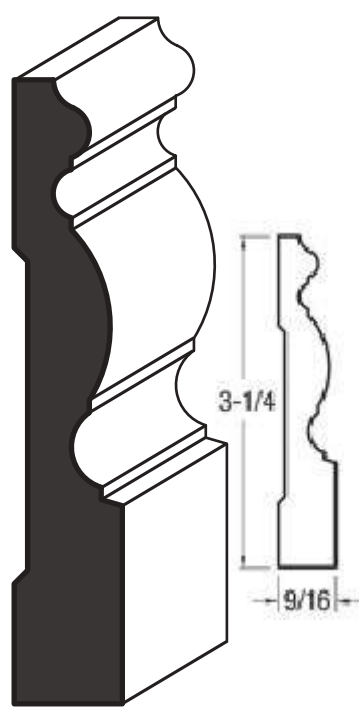
Base Mouldings serve as the finishing cover as the wall joins the floor. Many of the panel mouldings will also make two-piece baseboard applications. Baseboards can also be inverted and paired with cornice mouldings to form larger crown details.



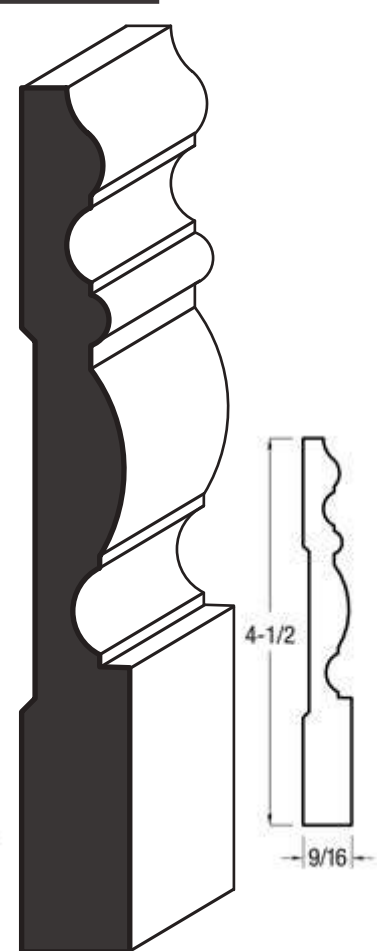
<b>A</b>	LC11		Casing
<b>B</b>	UW 74		Crown
<b>C</b>	UW 1021		Stool
<b>D</b>	PM 5		Panel



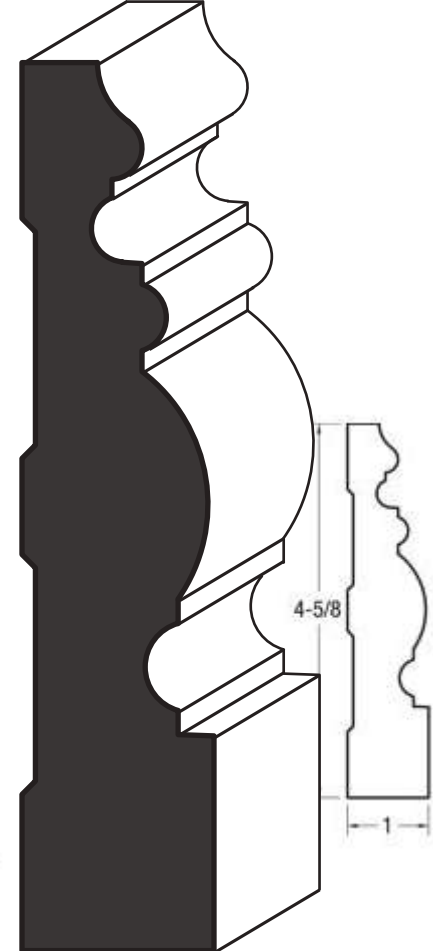
**UW 623**  
3-1/4"  
PFJ 046232  
FJP 10623  
SOL 00623  
MDF 046235



**B322**  
3-1/4"  
PFJ 0476222  
FJP 107622  
SOL 007622  
MDF 0476225



**B522**  
4-1/2"  
PFJ 0478222  
FJP 107822  
SOL 007822  
MDF 0478225



**B22**  
4-5/8"  
FJP 107722  
SOL 007722

# BASE MOULDINGS

(items are approximate scale only)

Including: Base Caps and Shoe

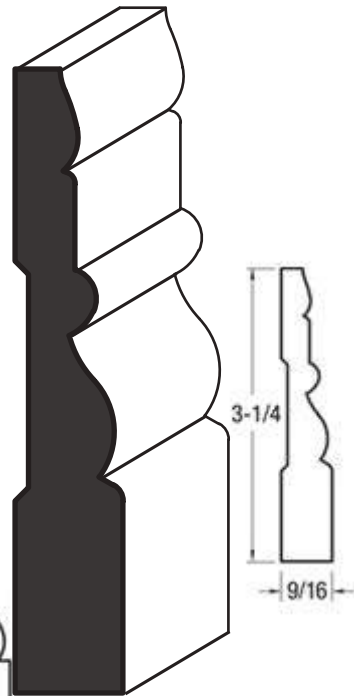
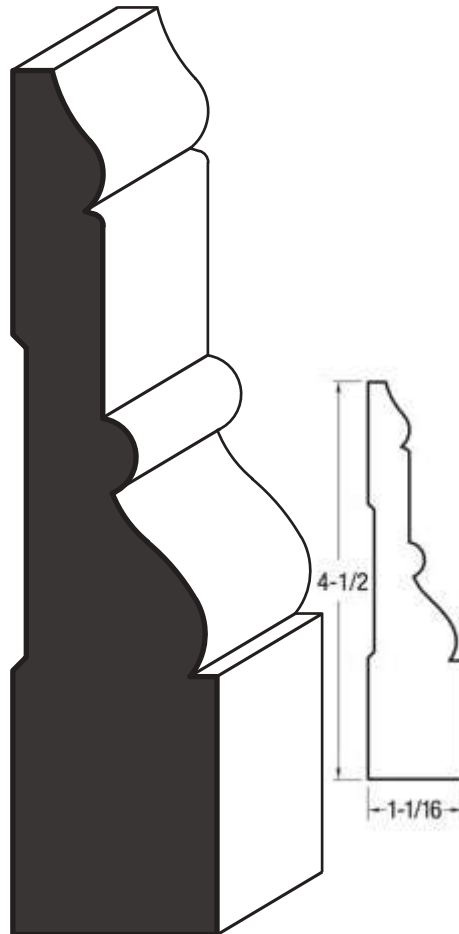
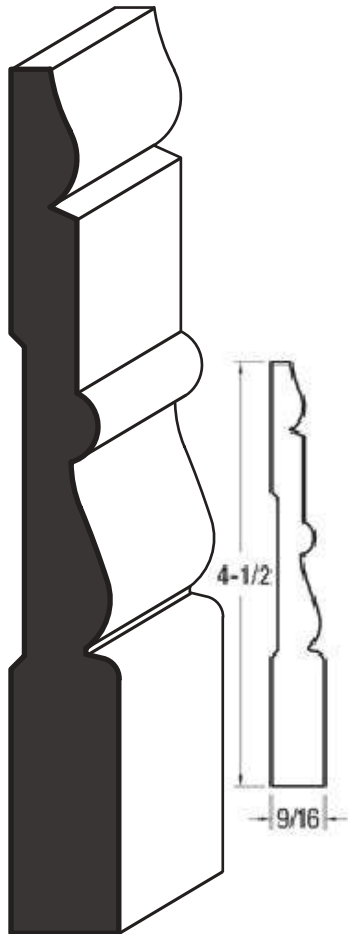
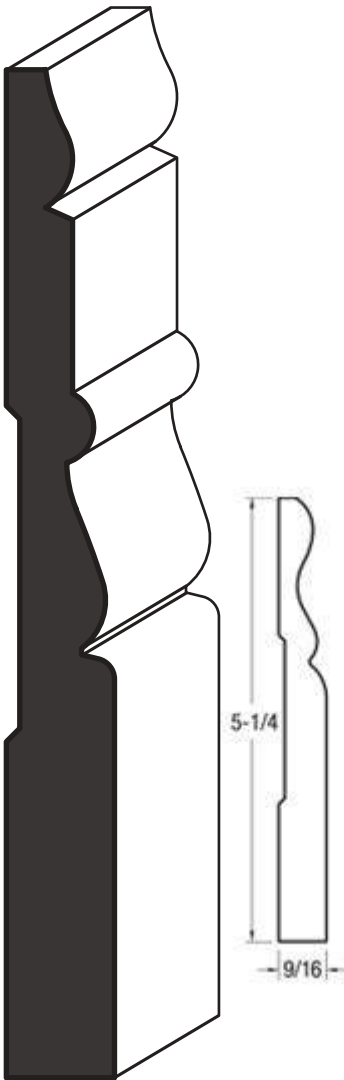


**LB11-5**  
5-1/4"  
FJP 107811

**LB11**  
4-1/2"  
PFJ 0476112  
FJP 107611  
SOL 007611  
MDF 0476115

**B11**  
4-1/2"  
FJP 107711  
SOL 007711

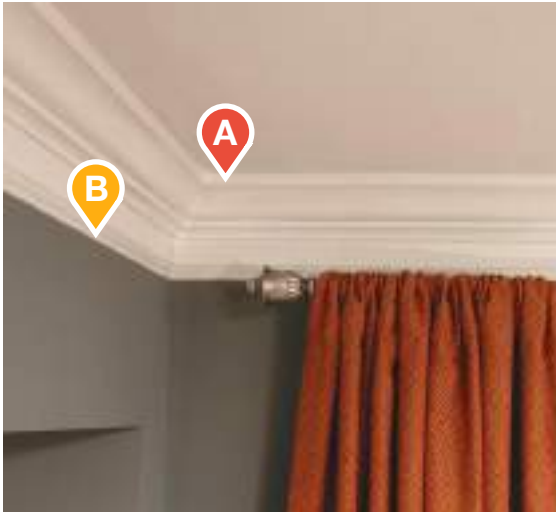
**B211**  
3-1/4"  
PFJ 0474112  
FJP 107411  
SOL 007411



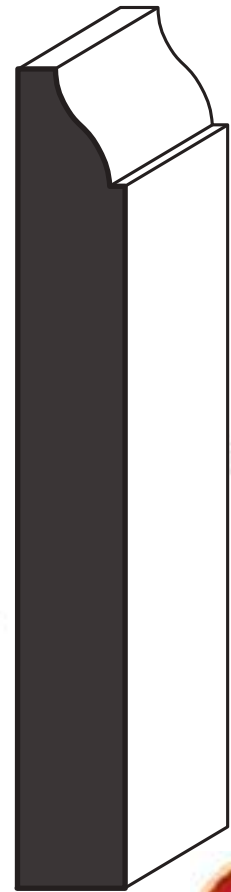
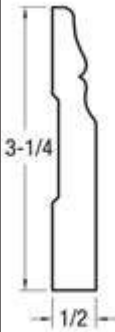
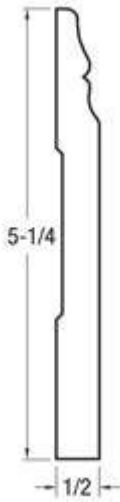
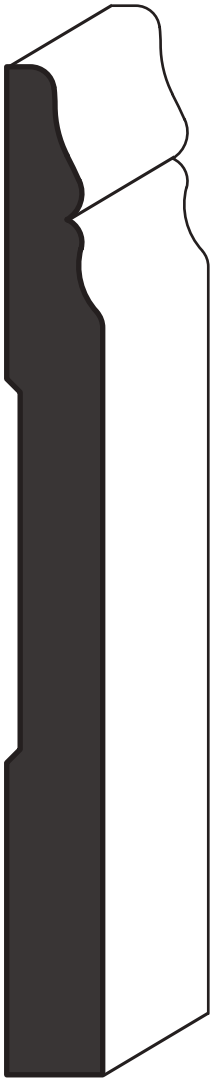


(items are approximate scale only)

# BASE MOULDINGS



- A** UW 48 | Crown
- B** UW 623 | Base Inverted



**BCOL5**  
5-1/4"  
FJP 107514  
MDF 0475146

**BCOL3**  
3-1/4"  
FJP 107314

**UW 618**  
5-1/4"  
FJP 10618  
SOL 00618



**UW 620**  
4-1/4"  
PFJ 046202



# BASE MOULDINGS



**ACOL7601**

3-1/4"

PFJ 0476012

FJP 107601

SOL 007601

MDF

0476015

**B695**

6-1/2"

FJP 107695

**B395**

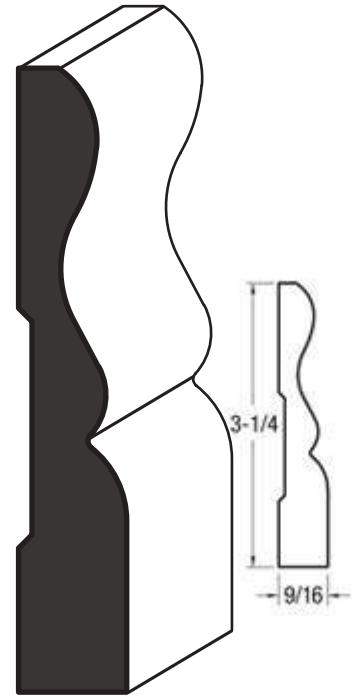
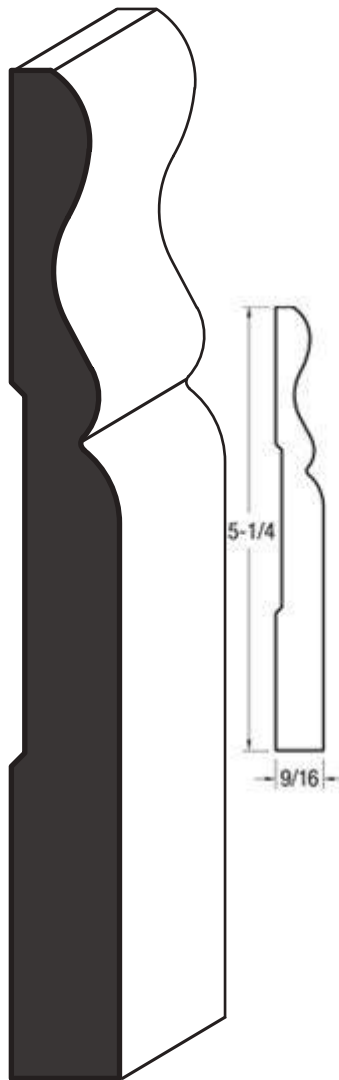
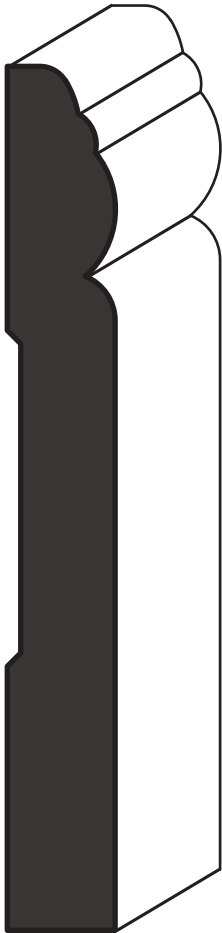
EC7395  
4-1/2"

FJP 107395

**ACOL7603**

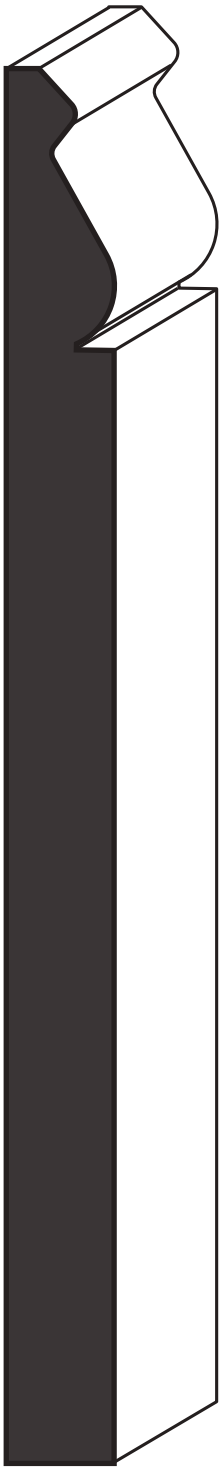
5-1/4"

FJP 107603



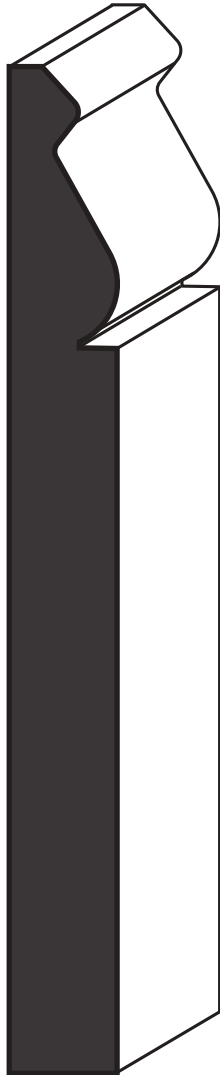
**UW810**  
7-1/4"

PFJ 048102  
MDF 048105



**UW 610**  
5-1/4"

FJP 10610  
MDF 046105  
SOL 00610



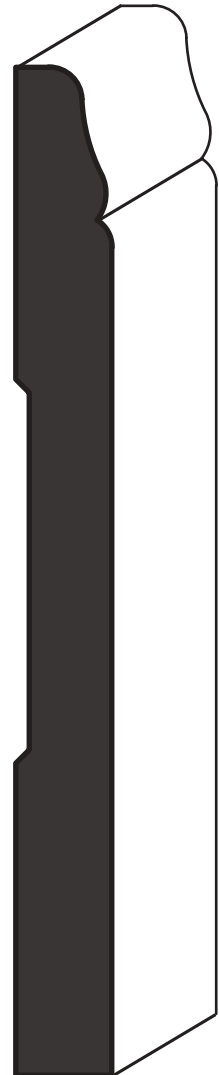
**B218**  
5-1/4"

MDF 0472184



**B514**  
5-1/4"

FJP 107615  
MDF 0476156  
SOL 007615



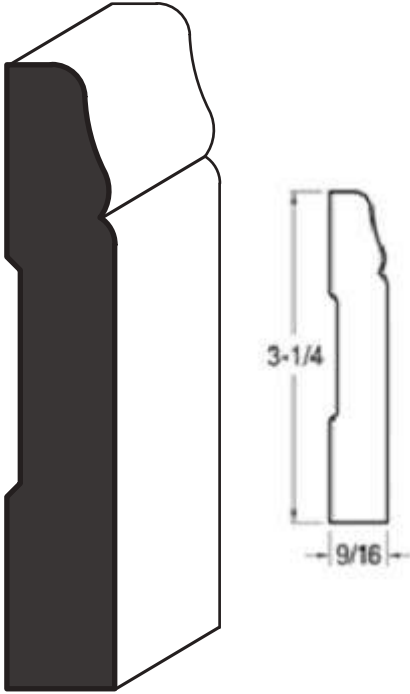
# BASE MOULDINGS

Including: Base Caps and Shoe

**B314**

3-1/4"

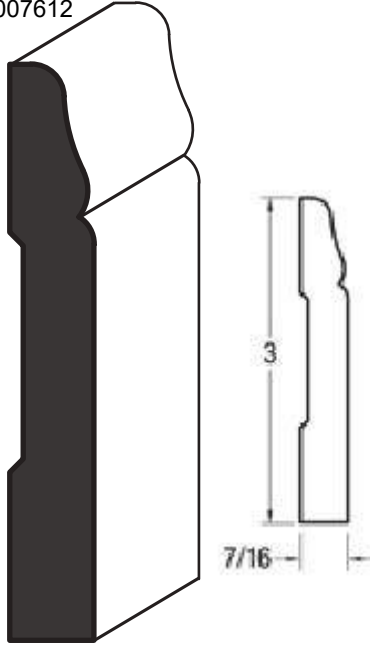
PFJ 0476132  
FJP 107613  
MDF 0476136  
SOL 007613



**B3**

3"

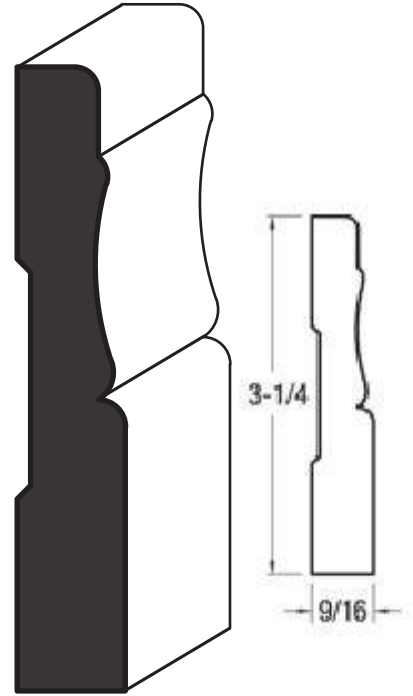
PFJ 0476122  
FJP 107612  
MDF 0476125  
SOL 007612



**K314**

3-1/4"

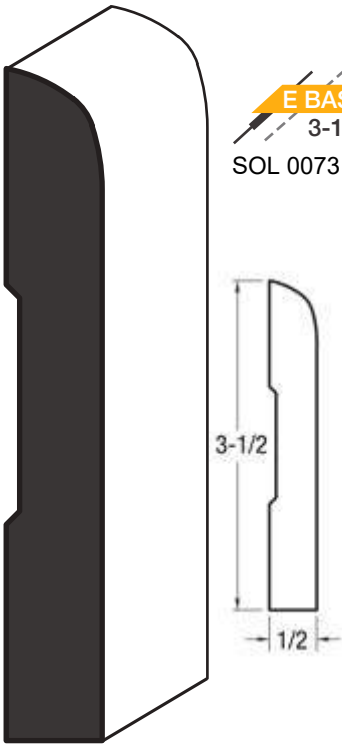
PFJ 0476432  
FJP 107643



**E BASE**

3-1/2"

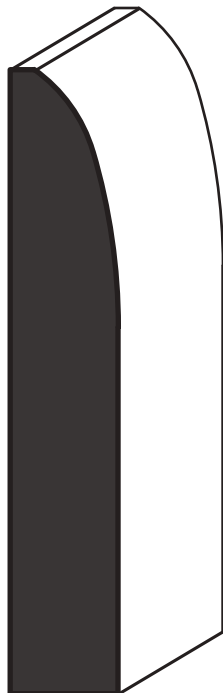
SOL 007312



**UW 713**

3-1/4"

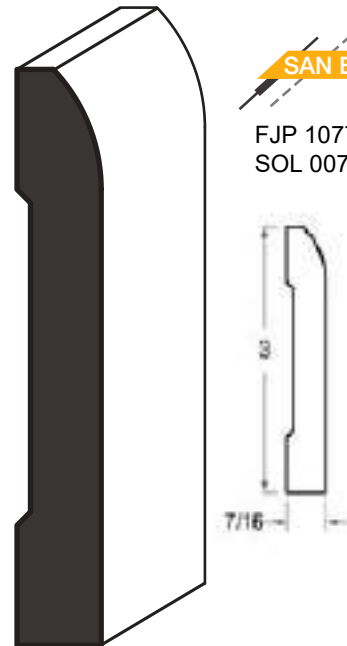
FJP 10713  
SOL 00713



**SAN BASE**

3"

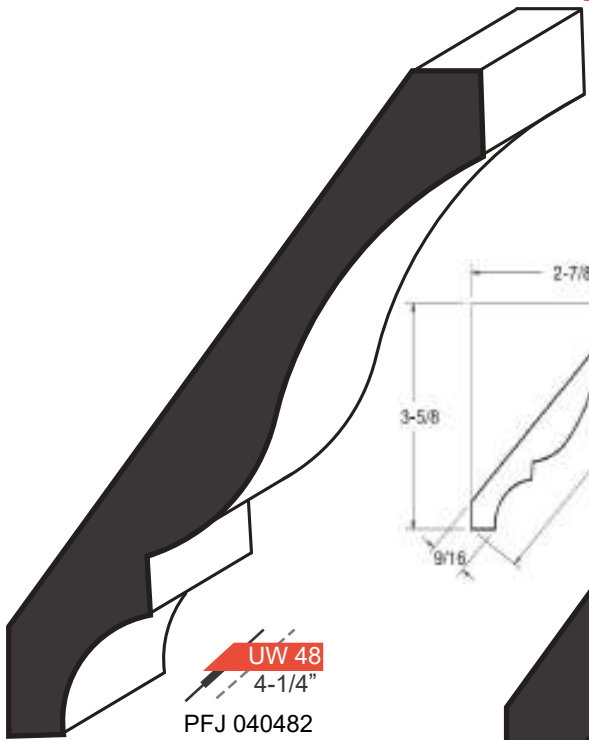
FJP 107724  
SOL 007724



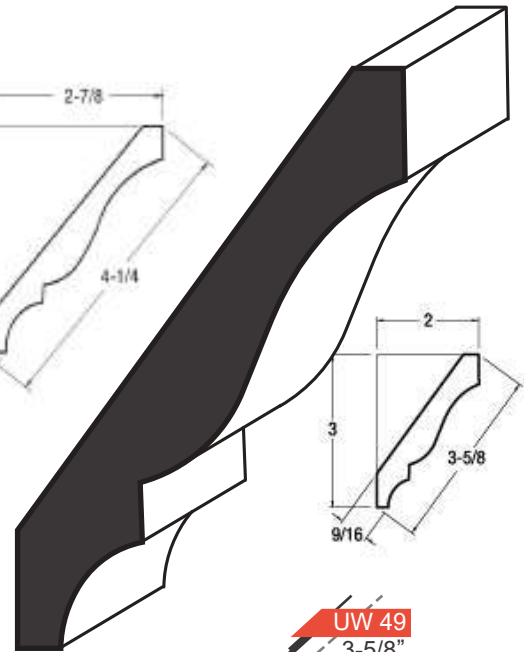
(items are approximate scale only)

# CROWN MOULDINGS

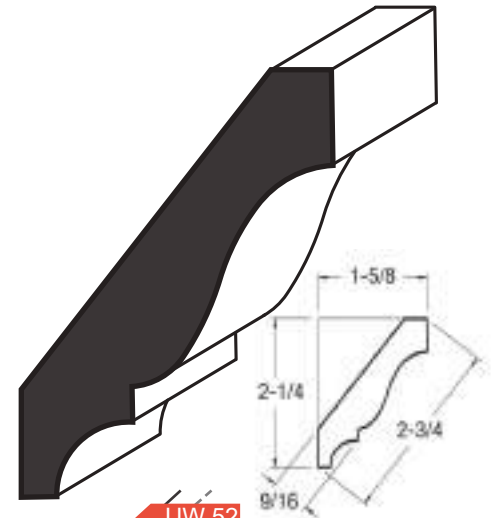
Including: Crown and Dentils



**UW 48**  
4-1/4"  
PFJ 040482  
MDF 040485  
FJP 10048



**UW 49**  
3-5/8"  
PFJ 040492  
FJP 10049  
SOL 00049  
MDF 040495



**UW 52**  
2-3/4"  
PFJ 040522  
FJP 10052  
SOL 00052

<b>A</b>	<b>UW 72</b>	Crown & Cap
<b>B</b>	<b>UW 37</b>	Crown
<b>C</b>	<b>UW 952</b>	Sill Nose



**CROWN AND CORNER MOULDINGS** are applied where the wall joins the ceiling. They are used to add more interest and design depth to a room. Cornice mouldings themselves can be enhanced by adding baseboards, casings, chair rails, lineal moulding, or panel moulding when used in larger rooms with high ceilings. These large combination details are a creative method for adding stronger and more noticeable design elements in large spaces.

# CROWN MOULDINGS

Including: Crown and Dentils

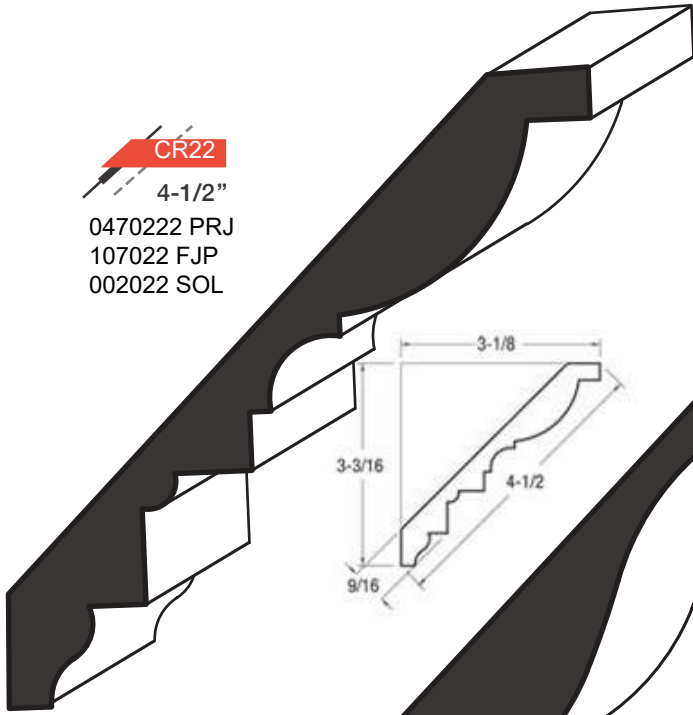
**CR22**

4-1/2"

0470222 PRJ

107022 FJP

002022 SOL



**CR48**

6-7/8"

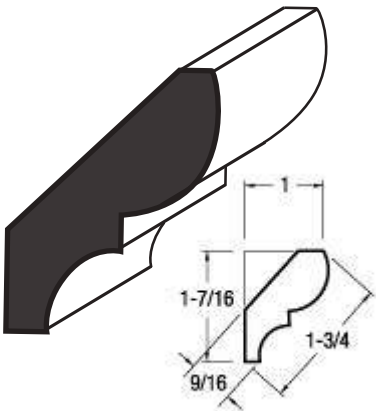
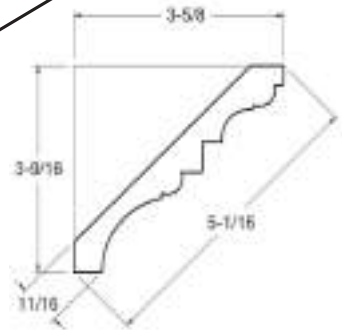
0476786 MDF



**UW 37**

5-1/16"

040372 PFJ

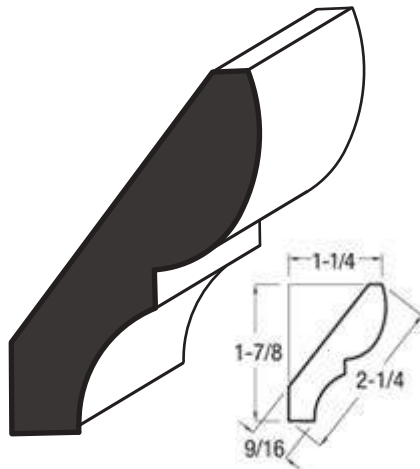


**UW 74**

1-3/4"

FJP 10074

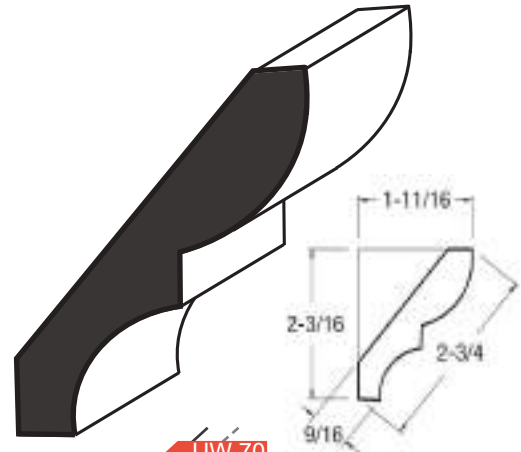
SOL 00074



**UW 72**

2-1/4"

SOL 00072



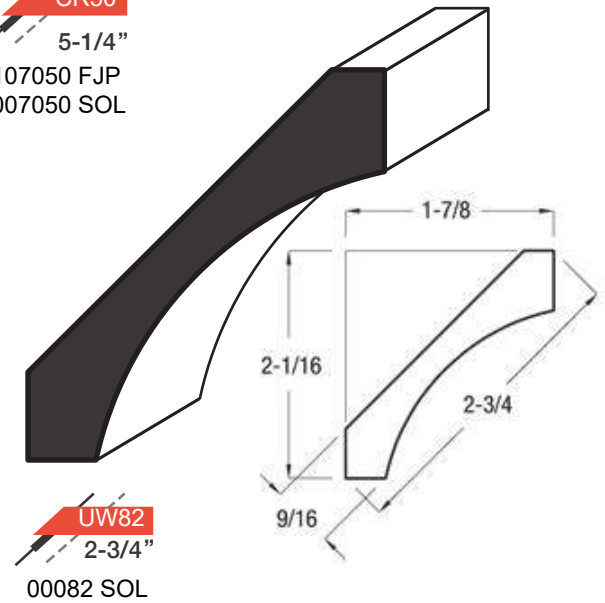
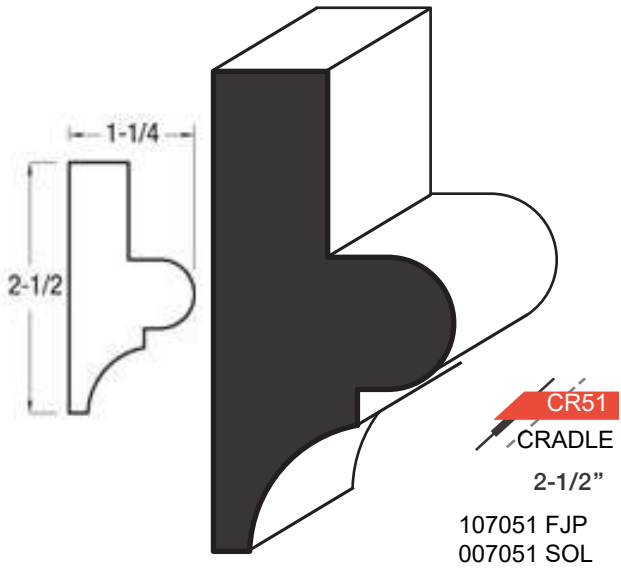
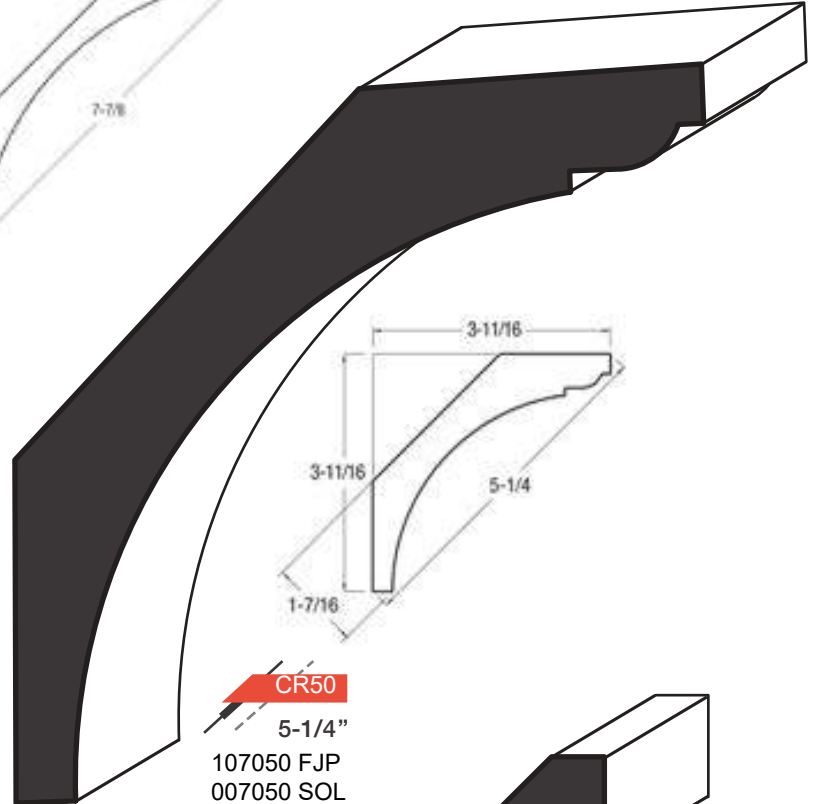
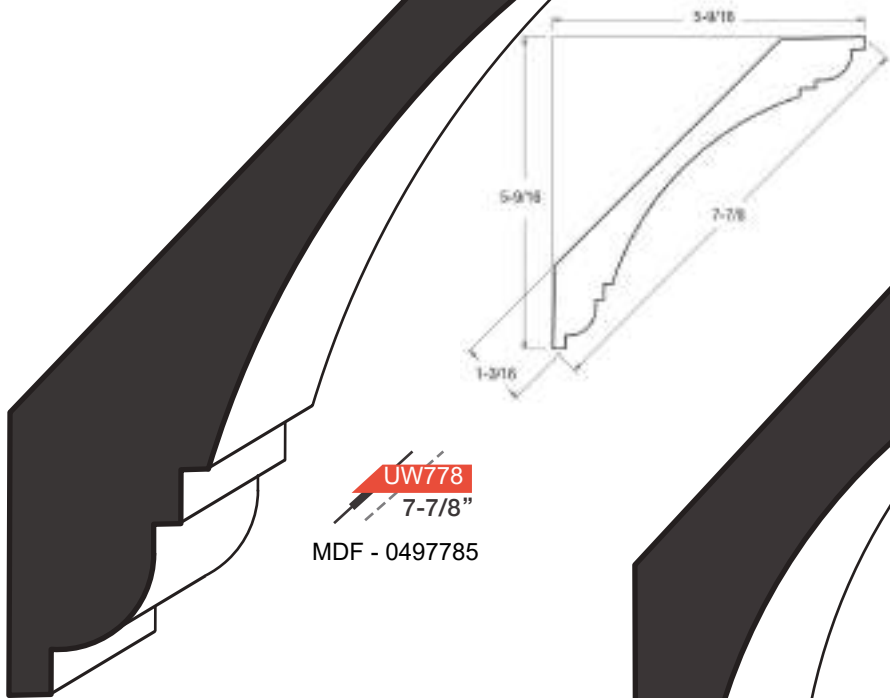
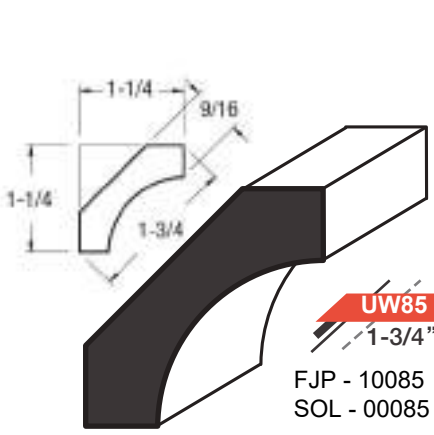
**UW 70**

2-3/4"

SOL 00070

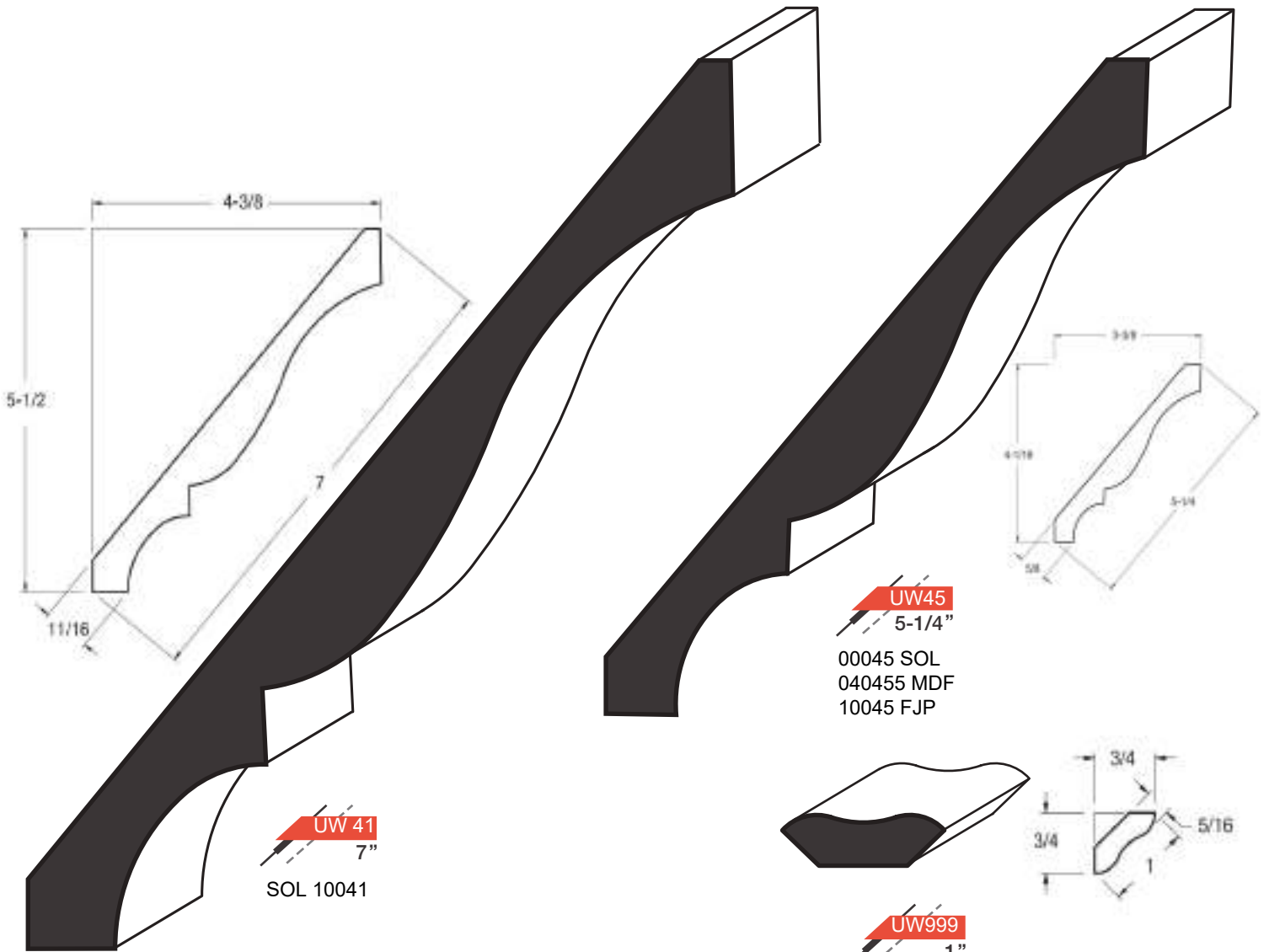
(items are approximate scale only)

# CROWN MOULDINGS



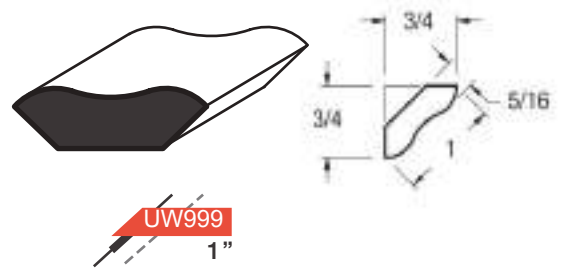
# CROWN MOULDINGS

Including: Crown and Dentils



**UW 41**  
7"  
SOL 10041

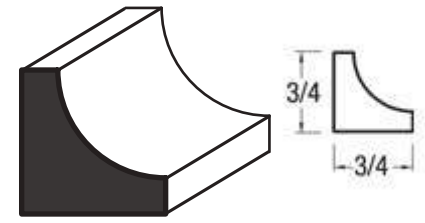
**UW 45**  
5-1/4"  
00045 SOL  
04045 MDF  
10045 FJP



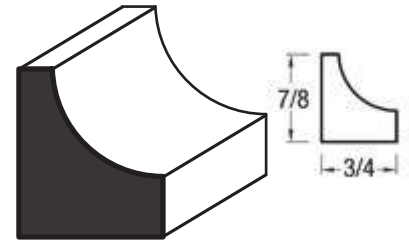
**UW 999**  
1"  
SOL 00999



**UW 93**  
3/4"  
SOL 00093



**UW 92**  
7/8"  
SOL 00092

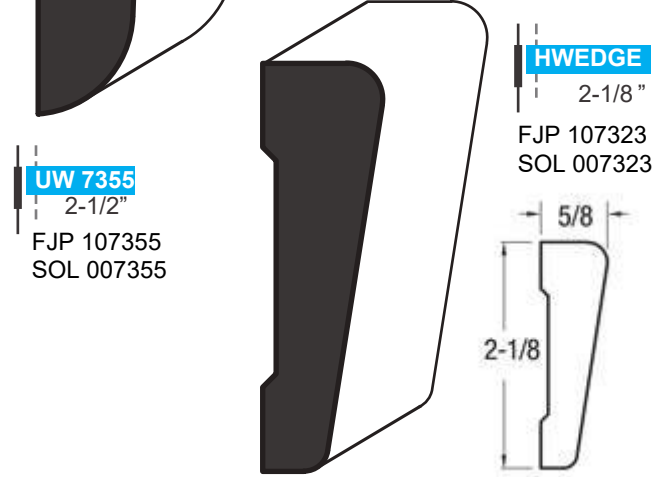
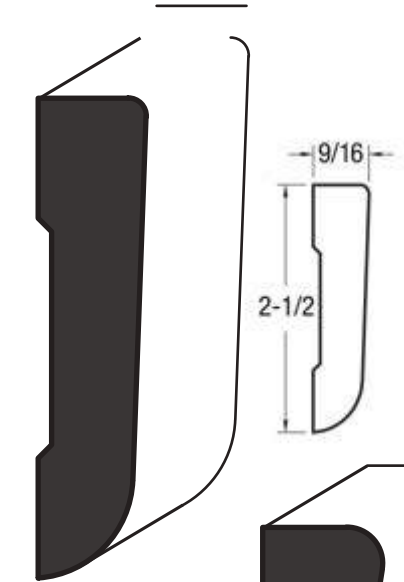
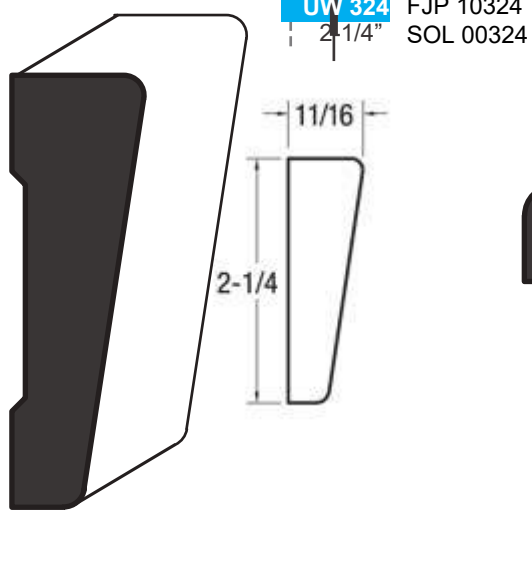
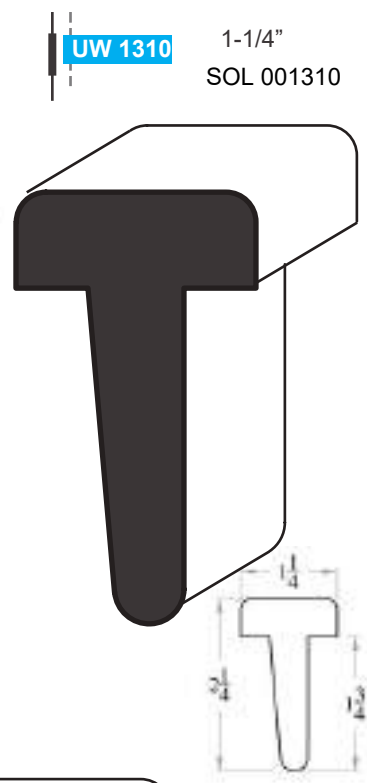
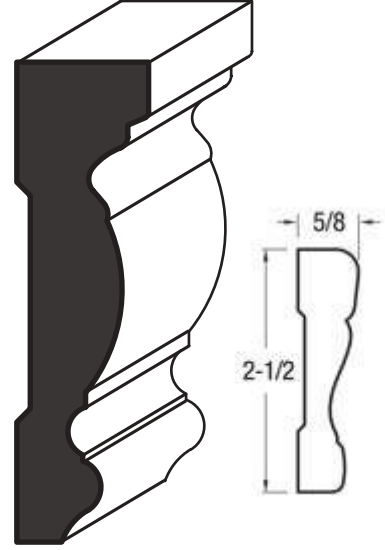
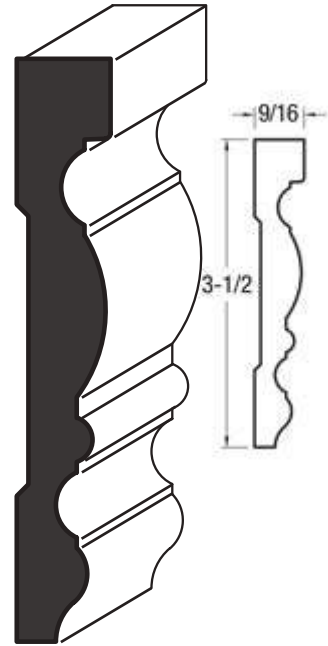
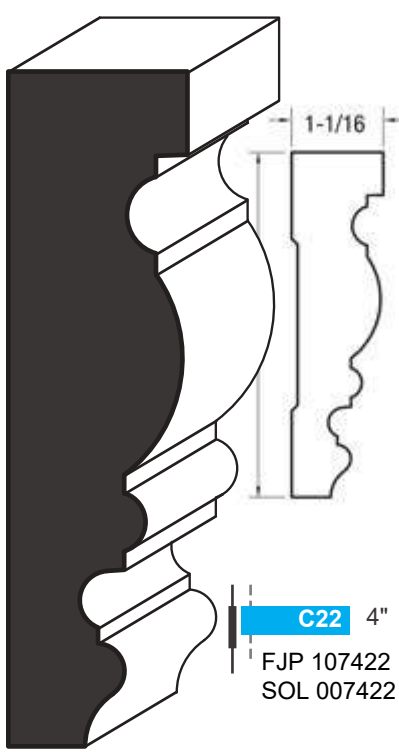




**CASINGS** are employed as trim elements around doors and windows. In addition, they are often used as larger chair rails or linear banding around a room.

## DOOR AND WINDOW TRIM

Including: Rosettes, Plinths, Stops, Astragals, Stools and Mullions

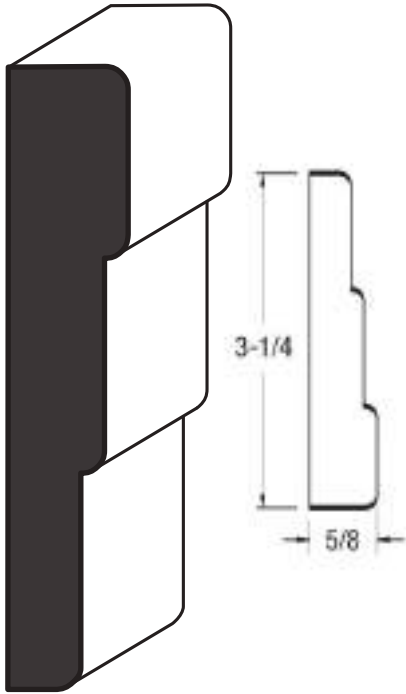


# DOOR AND WINDOW TRIM

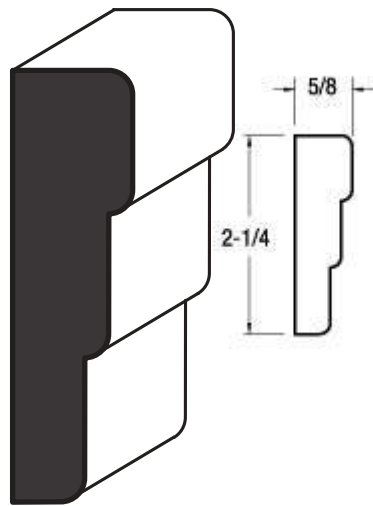
(items are approximate scale only)

Including: Rosettes, Plinths, Stops, Astragals,  
Stools and Mullions

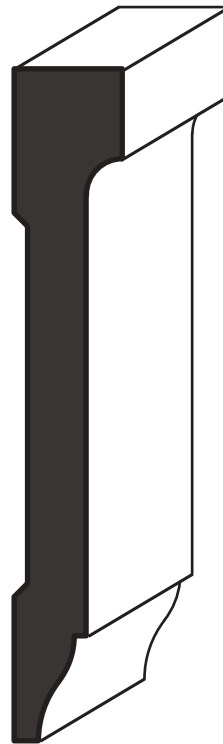
**UW 683** SOL 00683  
3-1/4"



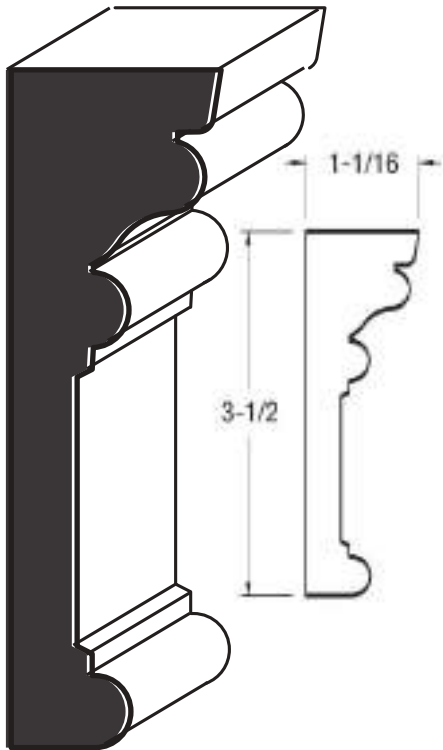
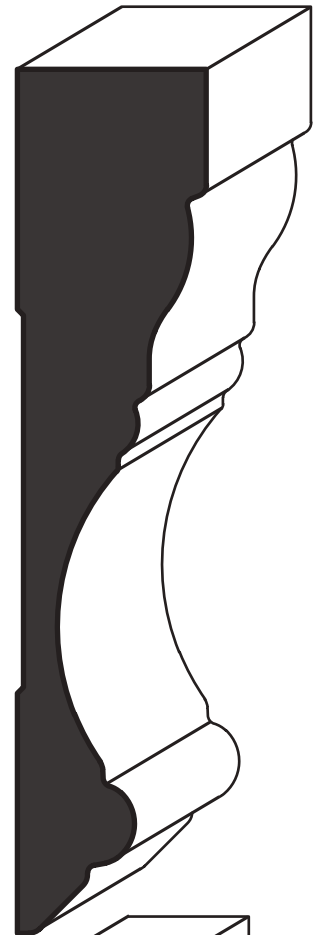
**UW 387** SOL 00387  
2-1/4"



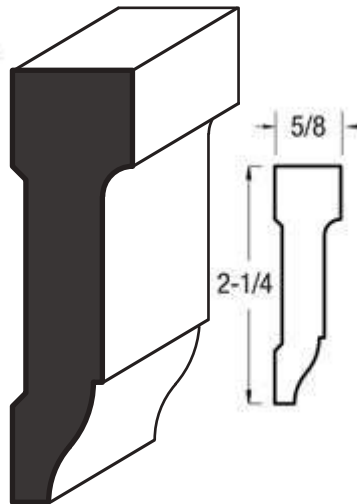
**UW 347** FJP 107347  
3-1/2"



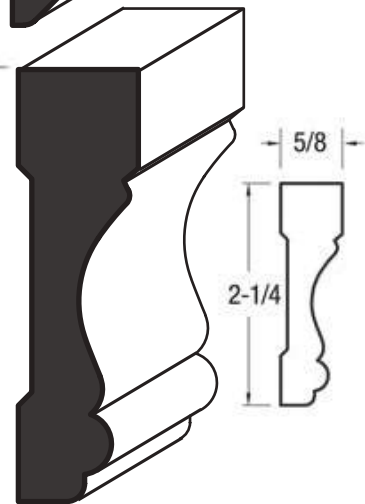
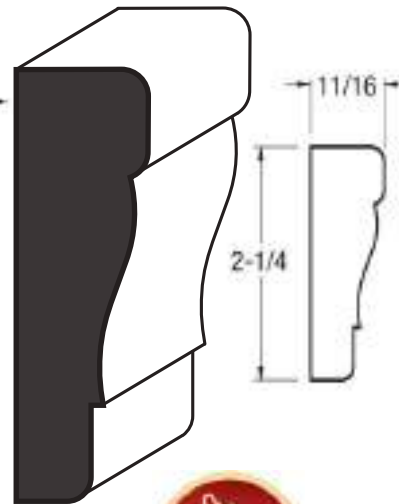
**UW 441** MDF 044415  
4-1/2"



**UW 346**  
2-1/4"  
FJP 107346



**UW 356**  
2-1/4"  
FJP 10356



**UW 7393**  
2-1/4"  
FJP 107393

**UW 1** PFJ 04400217  
3-1/2"

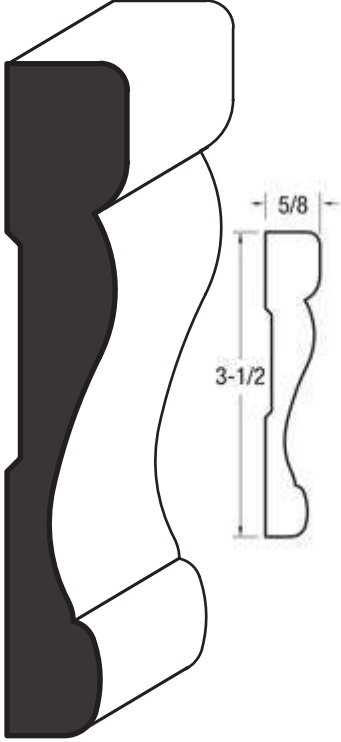
# DOOR AND WINDOW

including: Rosettes, Plinths, Stops, Astragals, Stools and Mullions

**ACOL7305**

3-1/2"

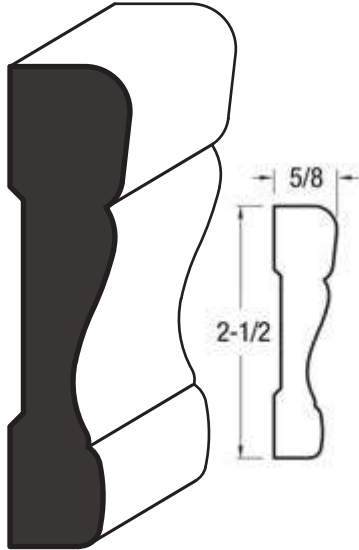
FJP 107305  
SOL 007305



**ACOL7304**

2-1/2"

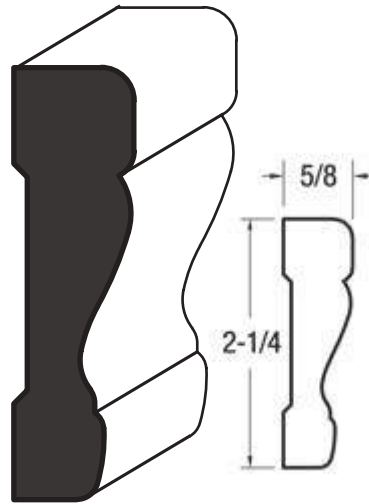
PFJ 0473042  
FJP 107304  
SOL 007304



**ACOL7303**

2-1/4"

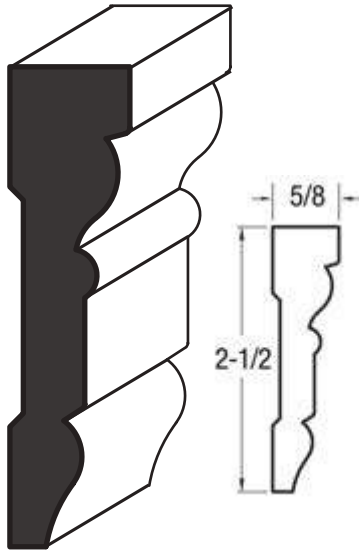
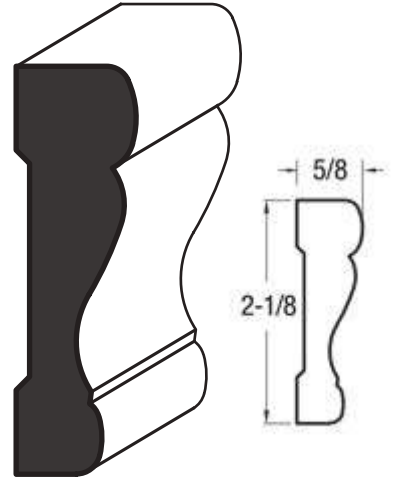
PFJ 0473032  
FJP 107303  
SOL 007303



**ACOL7302**

2-1/8"

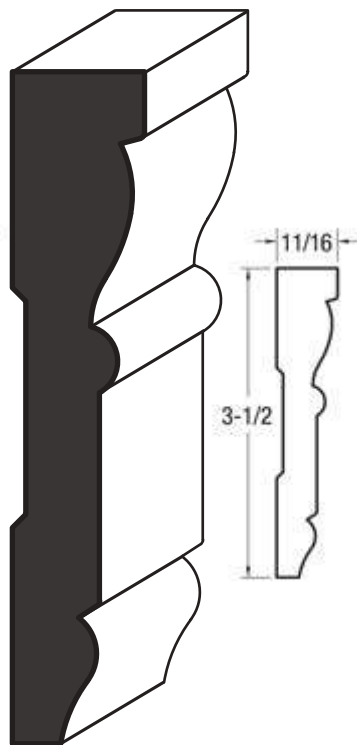
PFJ 0473022  
SOL 007302  
FJP 107302



**CR211**

2-1/2"

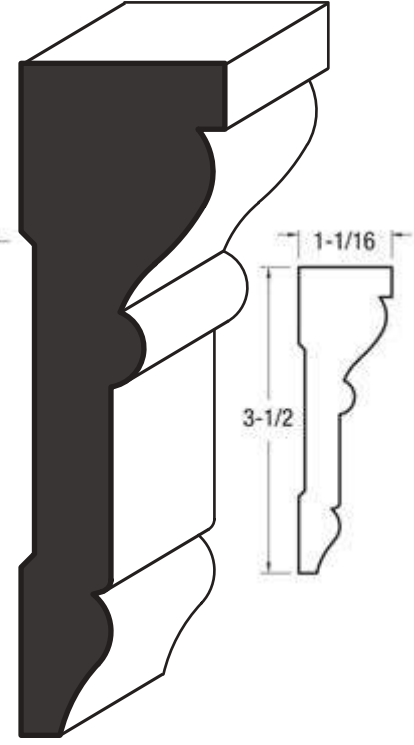
PFJ 0472112  
FJP 107211  
SOL 007211



**LC11**

3-1/2"

PFJ 0473112  
FJP 107311  
SOL 007311



**C11**

3-1/2"

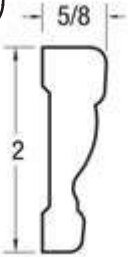
FJP 107511



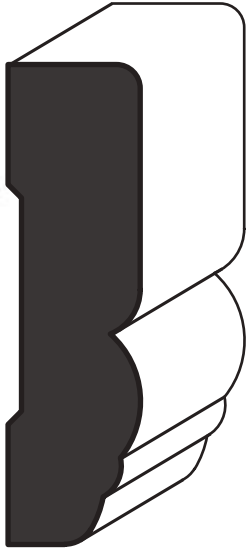
# DOOR AND WINDOW TRIM

Including: Rosettes, Plinths, Stops, Astragals, Stools and Mullions

**ACOL7301**  
2"  
FJP 107301



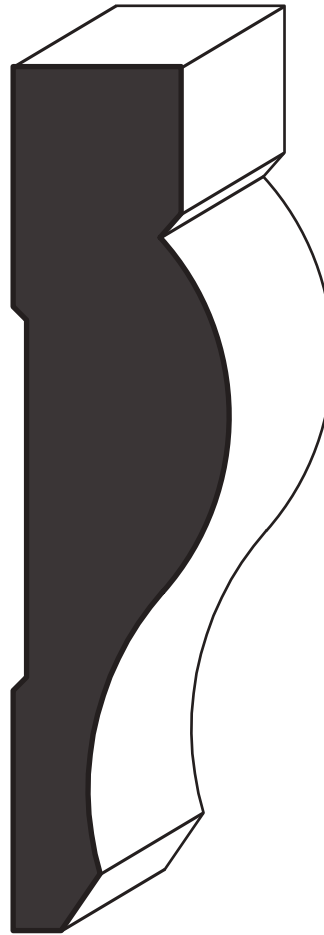
**C195**  
2-1/2"  
FJP 107195



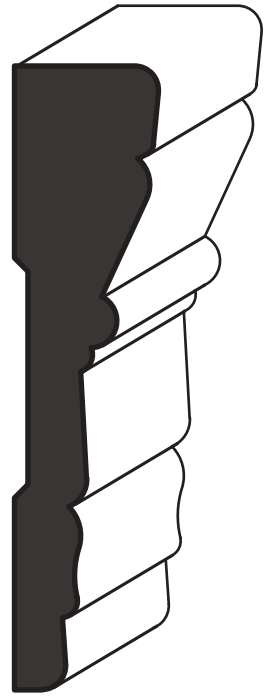
**C295**  
3-1/2"  
FJP 107295



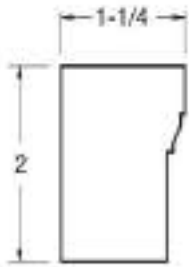
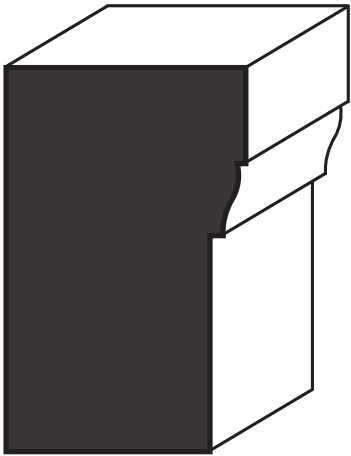
**C197**  
4-1/2"  
FJP 107197



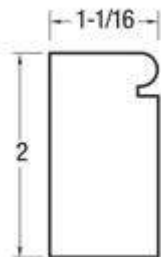
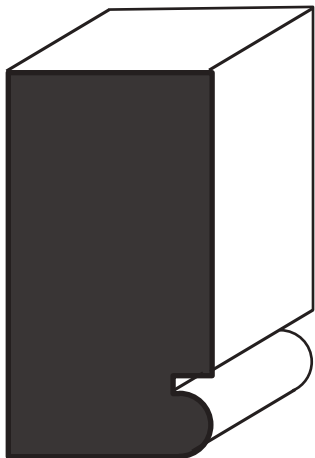
**LA314**  
3-1/4"  
FJP 107314C



**UW 175**  
2"  
PFJ 041752



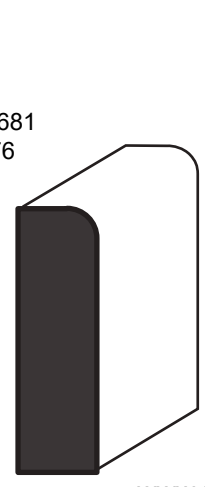
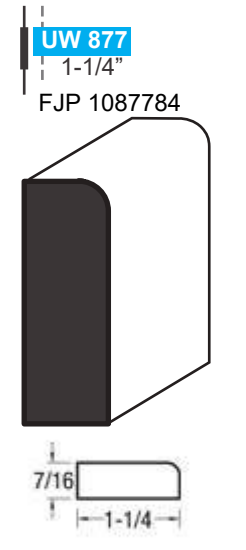
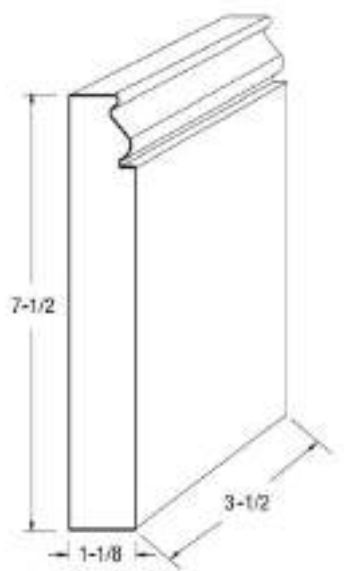
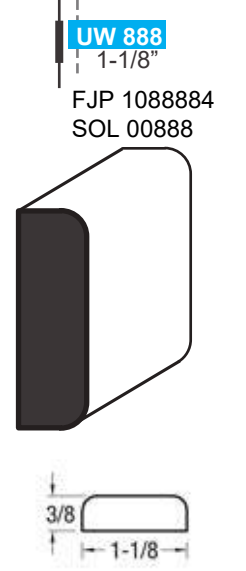
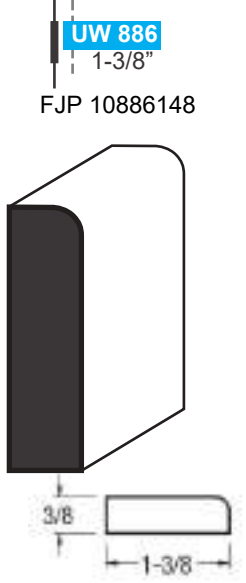
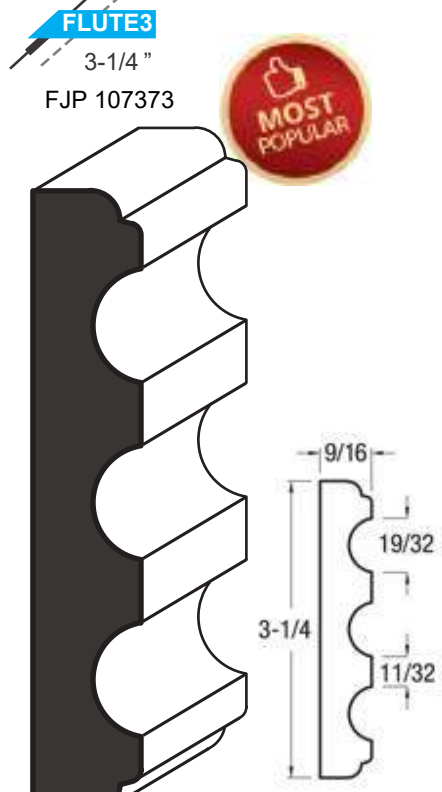
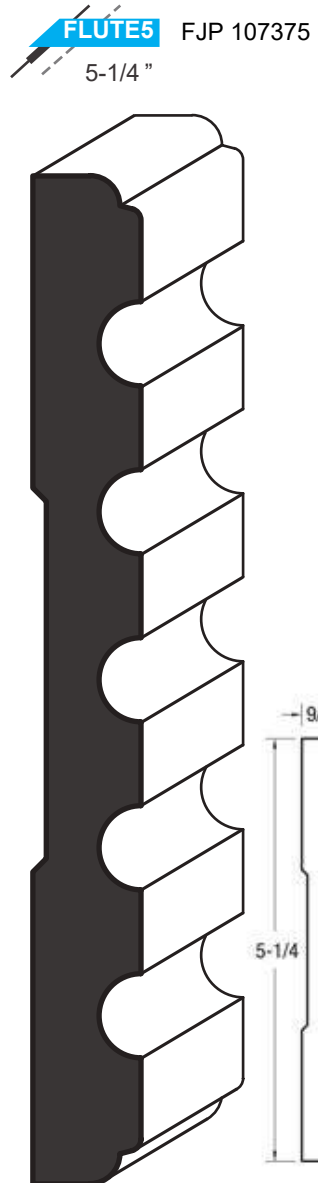
**UW 180**  
2"  
PFJ 04180217  
FJP 10180



(items are approximate scale only)

# DOOR AND WINDOW TRIM

Including: Rosettes, Plinths, Stops, Astragals, Stools and Mullions



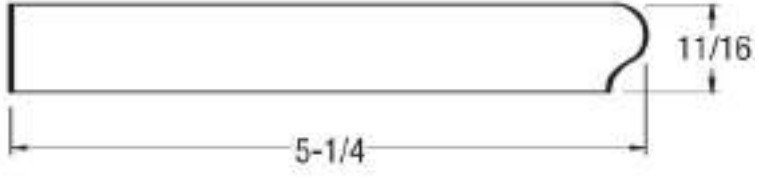
# DOOR AND WINDOW TRIM

Including: Rosettes, Plinths, Stops, Astragals, Stools and Mullions



**UW 10215**  
5-1/4"

PFJ 0410212  
SOL 001021  
MDF 0410214



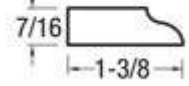
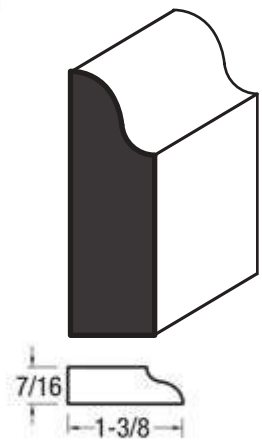
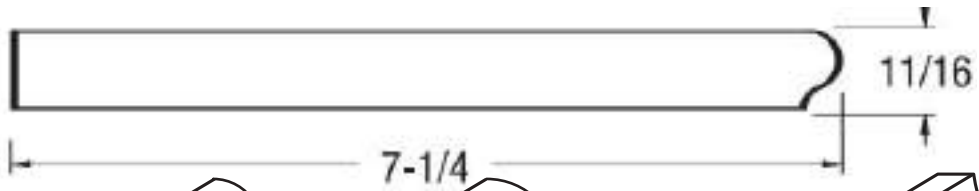
**UW 10216**  
6-1/4"

FJP 101021614  
SOL 001021614  
MDF 0410216145

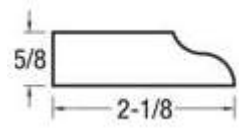
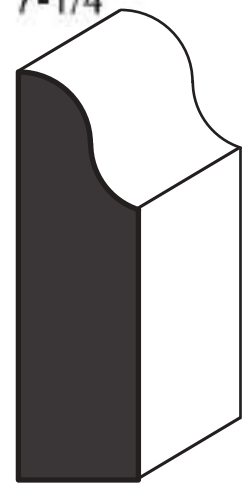


**UW 10217**  
7-1/4"

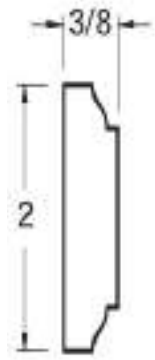
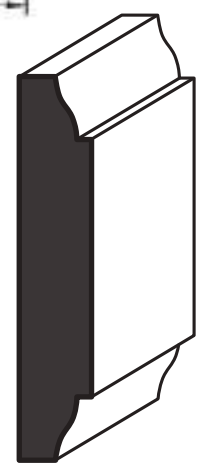
PFJ 0410217142  
FJP 101021714  
SOL 00101714  
MDF 0410217145



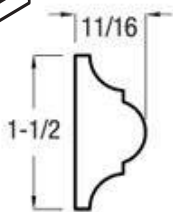
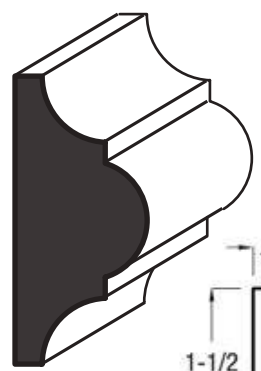
**UW 906**  
1-3/8"  
FJP 1090684  
SOL 00906



**UW 926**  
2-1/8"  
FJP 1092696



**UW 987**  
2"  
SOL 00987



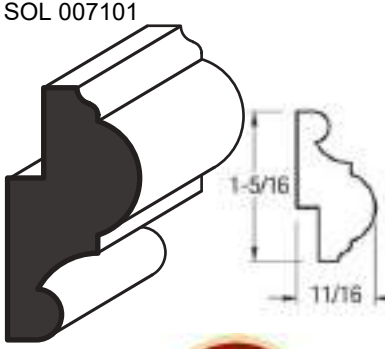
**UW 134**  
1-1/2"  
FJP 10134  
SOL 00134

**PM -PANEL MOULDINGS** are used to form panels on ceilings and walls and enhance cornice applications. In addition, they can also be used as finer chair rails or with baseboard caps to form two-piece baseboards.

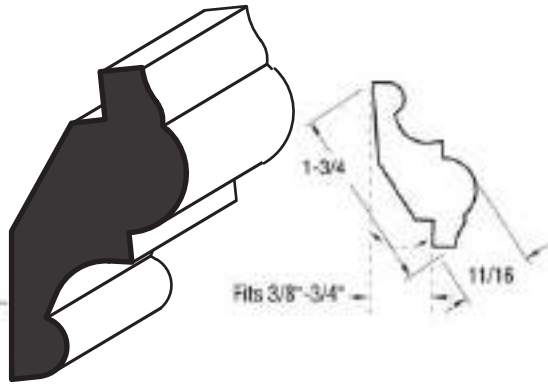
## CHAIR RAILS

Including: Rail Backers, Mullions and Panel Moulds

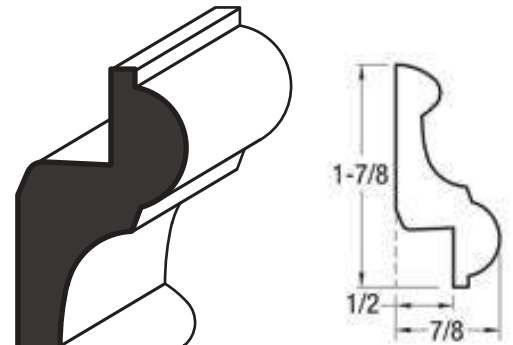
**PM1**  
1-5/16"  
FJP 107101  
SOL 007101



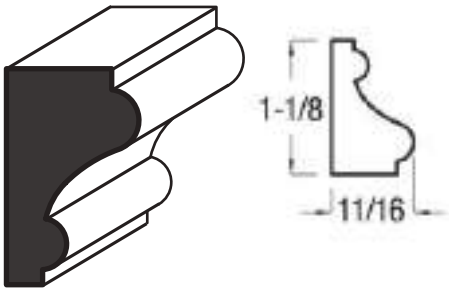
**PM2**  
1-5/8"  
FJP 107102  
SOL 007102



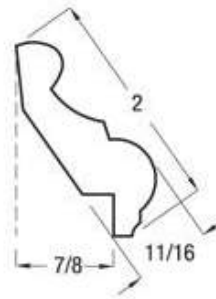
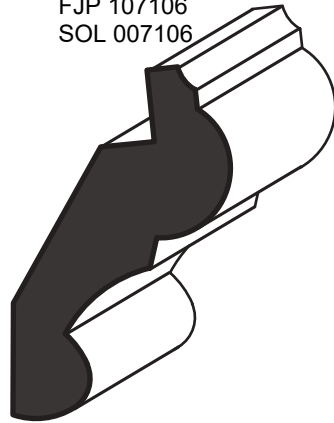
**PM3**  
1-7/8"  
SOL 007103



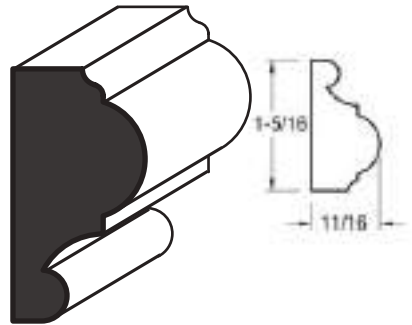
**PM5**  
1-1/8"  
FJP 107105  
SOL 007105



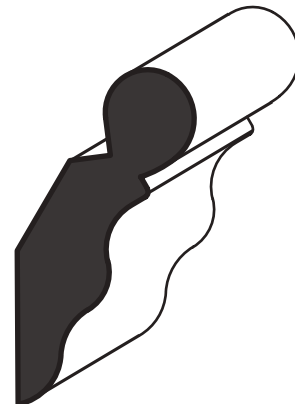
**PM6**  
2"  
FJP 107106  
SOL 007106



**PM7**  
1-5/16"  
FJP 107107  
SOL 007107



**COCHRAN**  
1-7/8"  
SOL 007108



# CHAIR RAILS

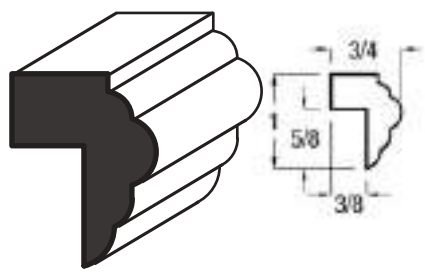
(items are approximate scale only)

Including: Rail Backers, Mullions and Panel Moulds

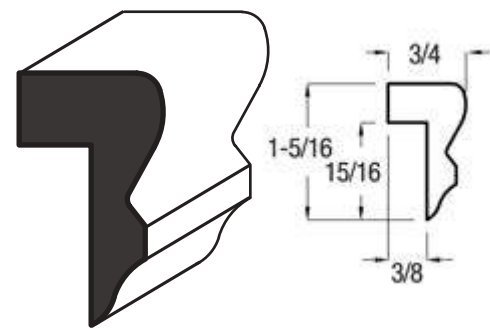
CHAIR RAILS are usually applied to a wall horizontally, They protect walls from sliding furniture. Chair rails are also used as panel mouldings to trim the tops of panels on walls or ceilings, and provide a “wainscot” appearance. They can be paired with casings with backbands to form larger chair rails.



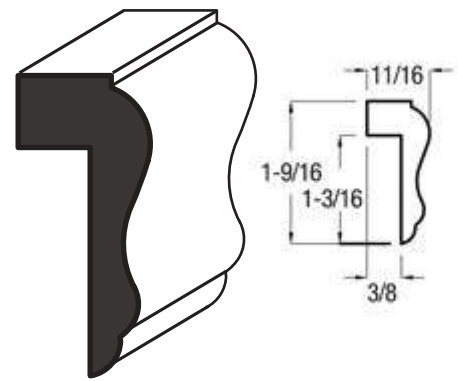
**DEC2**  
1"  
SOL 007110



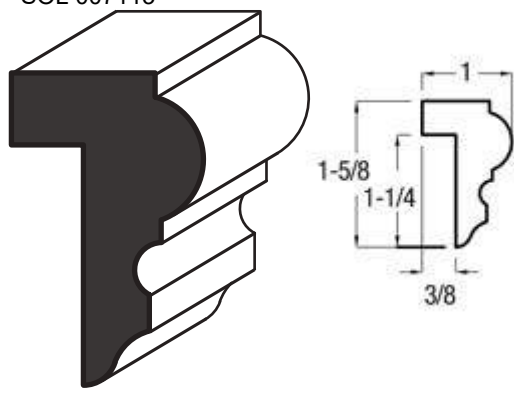
**DEC3**  
1-5/16"  
SOL 007111



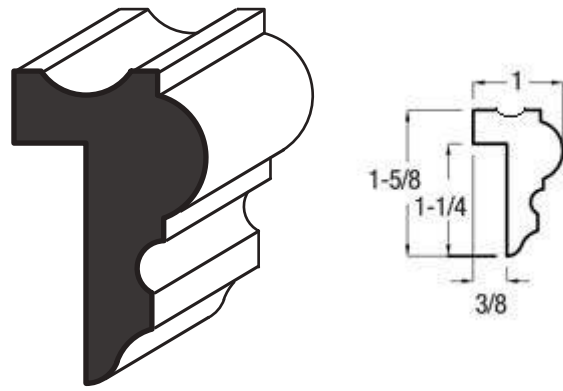
**DEC4**  
1-9/16"  
SOL 007112



**DEC6**  
1-5/8"  
FJP 107113  
SOL 007113



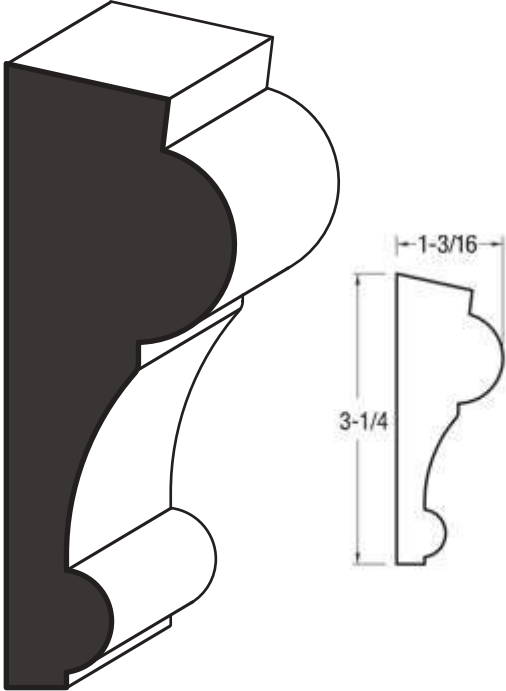
**DEC6F**  
1-5/8"  
SOL 007113FP



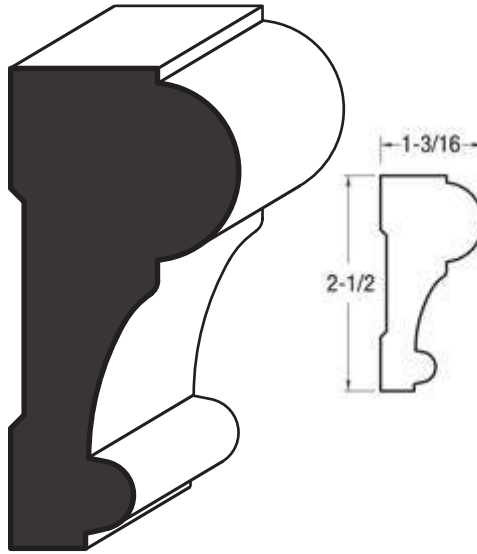


Including: Rail Backers, Mullions and Panel Moulds

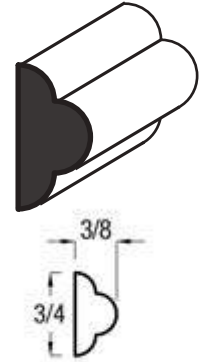
**CR6**  
3-1/4"  
FJP 107006  
SOL 007006



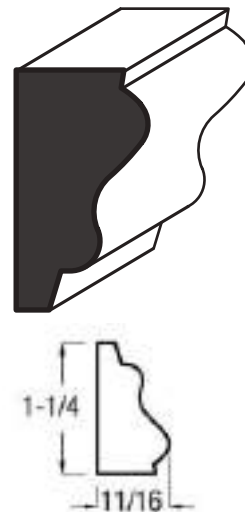
**CR7**  
2-1/2"  
FJP 107007  
SOL 007007



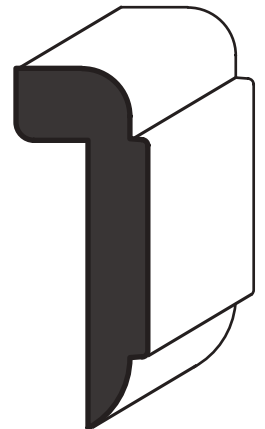
**UW 7137**  
3/4"  
SOL 007137



**KPAN**  
1-1/4"  
FJP 107114



**CM12**  
1-7/8"  
FJP 107115  
SOL 007115



Drawings in this catalog are not necessarily actual size.  
Actual size and shape of products may vary due to manufacturing and are subject to change without notice.

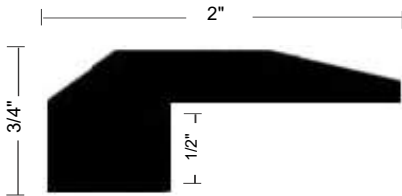
† Hardwood products comes in random lengths, priced per linear foot.



**Mini Baby Threshold**

**UW 9891**

RO 989171  
WO 989172  
HK 989173  
MP 899174



**Baby Threshold**

**UW 9892**

RO 989271  
WO 989272  
HK 989273  
MP 989274

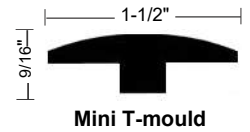


**Mini T-Mold**



**UW 9895**

RO 989581  
WO 989282  
HK 989283  
MP 989284



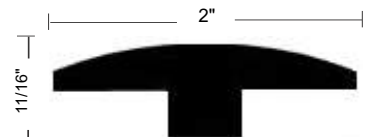
**Mini T-mould**



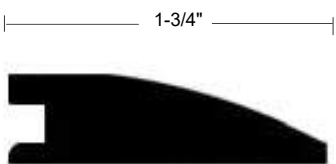
**3/8" Reducer**

**UW 9894**

RO 989441  
WO 989442  
HK 989443  
MP 989444



**T-Mould**



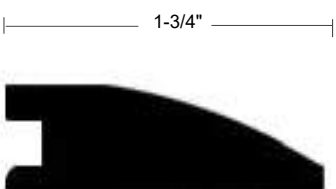
**1/2" Reducer**

**UW 98941**

RO 989412  
WO 989413  
HK 989414  
MP 989415

**UW 9896**

RO 989631  
WO 989632  
HK 989633  
MP 989434



**3/4" Reducer**

**UW 98942**

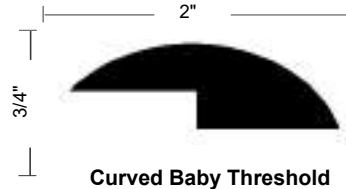
RO 989451  
WO 989452  
HK 989453  
MP 989454



† Hardwood products comes in random lengths, priced per linear foot.

**UW 9893**

RO 989331  
WO 989332  
HK 989333  
MP 989334

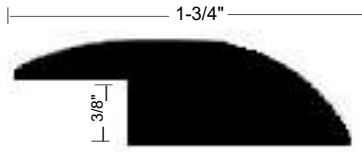


Curved Baby Threshold

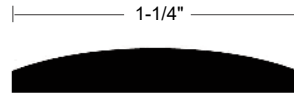


**UW 9897**

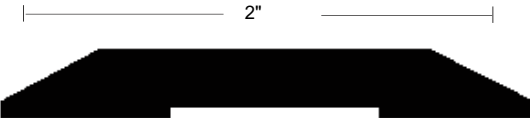
RO 98972  
WO 98973  
HK 98974  
MP 98975



Overlap Reducer



Mini Saddle



2" Saddle

**UW 9899**

RO 98994  
WO 98995  
HK 98996  
MP 98997

**UW 9898**

RO 989801  
WO 989802  
HK 989803  
MP 989804



Random lengths orders - Moulding prices are for random lengths, 25% up charge for specified lengths. Random lengths orders may include a maximum of 15% from 6' to 8' and 85% in lengths 8' to 16'

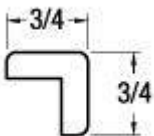


*Our hardwood products are made from real solid wood. Just like the trees they are made from, no two pieces are exactly alike. We use FAS grade or better lumber unlike our competitors who opt for No. 1 and No. 2 Common.*



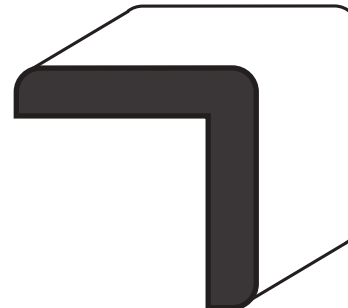
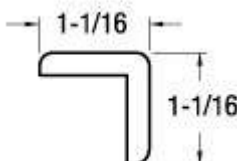
**UW 206**

3/4"  
SOL 00206



**UW 205**

1-1/16"  
SOL 00205



**UW 204**

1-1/4"  
SOL 00204

Drawings in this catalog are not necessarily actual size. Actual size and shape of products may vary due to manufacturing and are subject to change without notice.